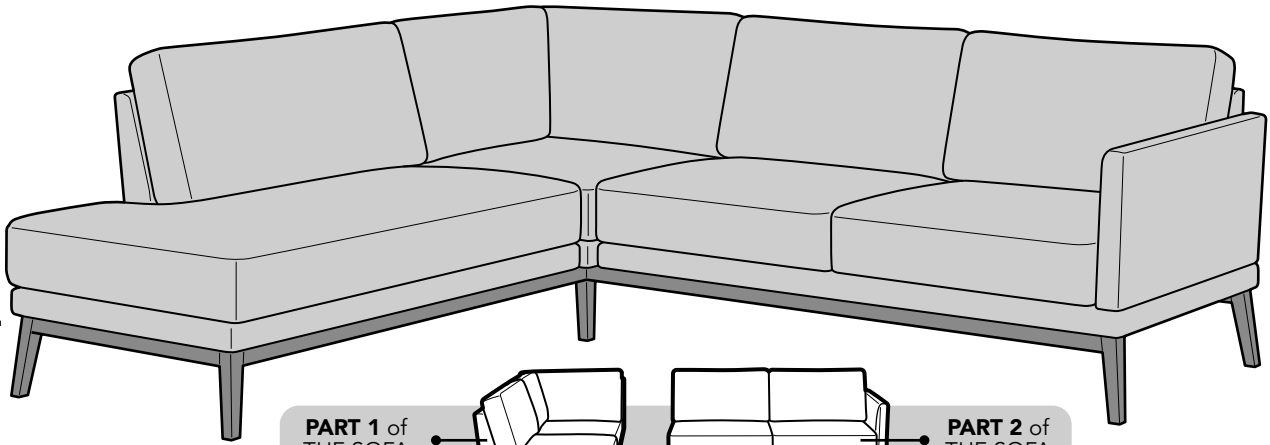


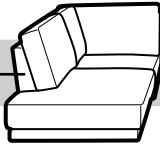
LUONTO®

ASSEMBLY INSTRUCTION

This assembly requires **2-persons**



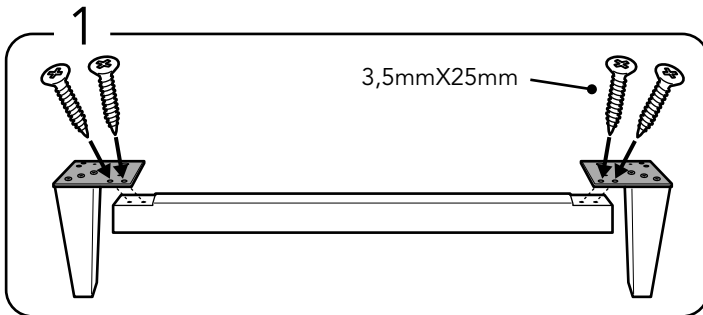
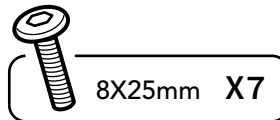
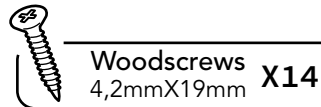
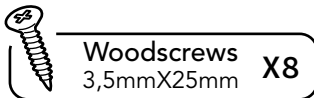
PART 1 of
THE SOFA



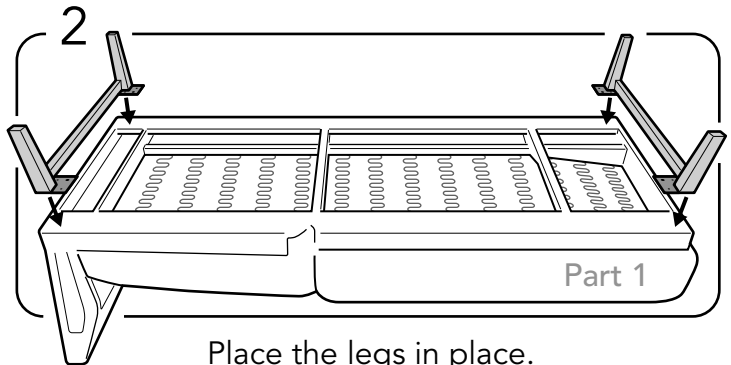
PART 2 of
THE SOFA



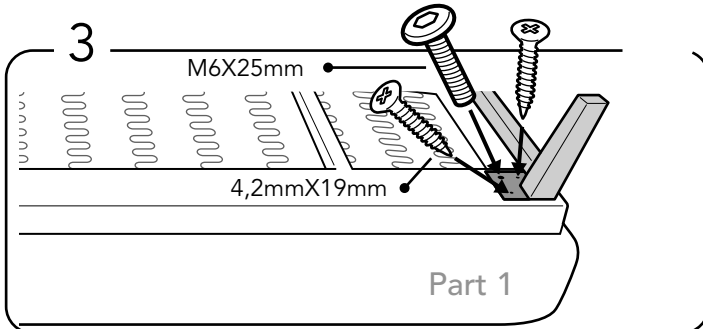
INCLUDED



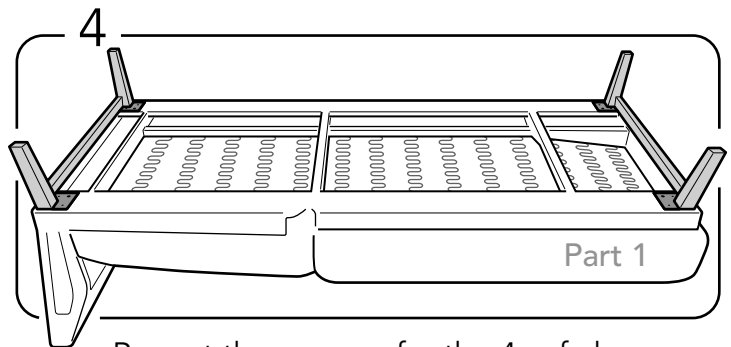
Assemble the slat to the legs, repeat the process to the front and back legs for (Part 1 of the sofa).



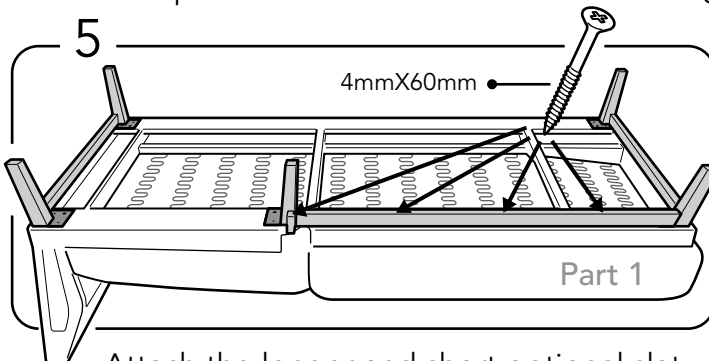
Place the legs in place.



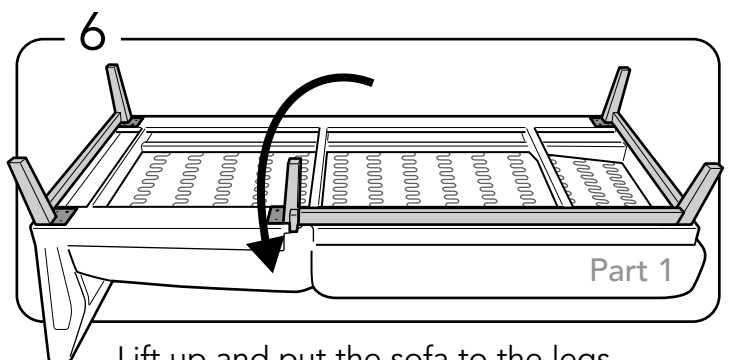
Attach each legs with the 8x25mm bolt to align the metal in place then use two screws on each leg.



Repeat the process for the 4 sofa legs.

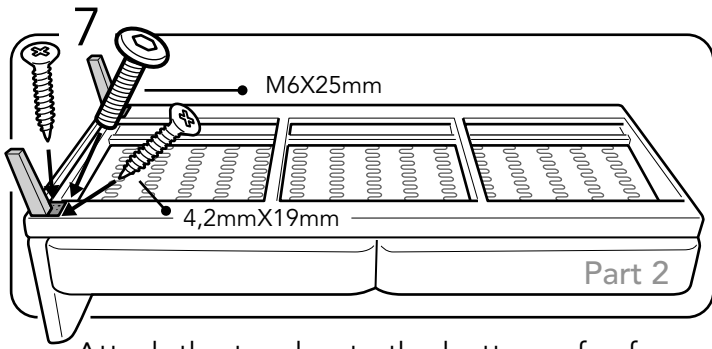


Attach the longer and short optional slat parts to the bottom (use 4x60mm screws).

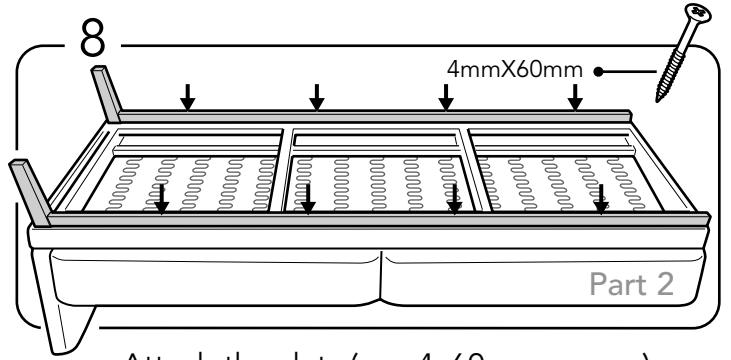


Lift up and put the sofa to the legs.

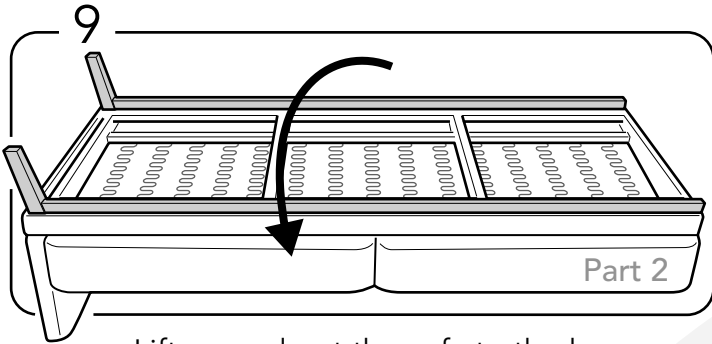




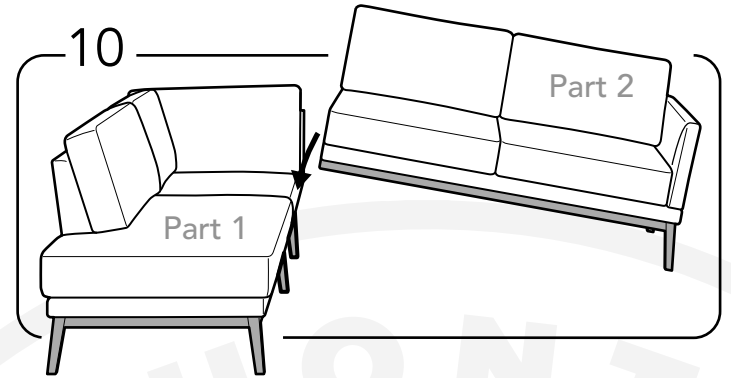
Attach the two leg to the bottom of sofa part (use one 8x25mm bolt and two 4,2x19mm screws on each leg)



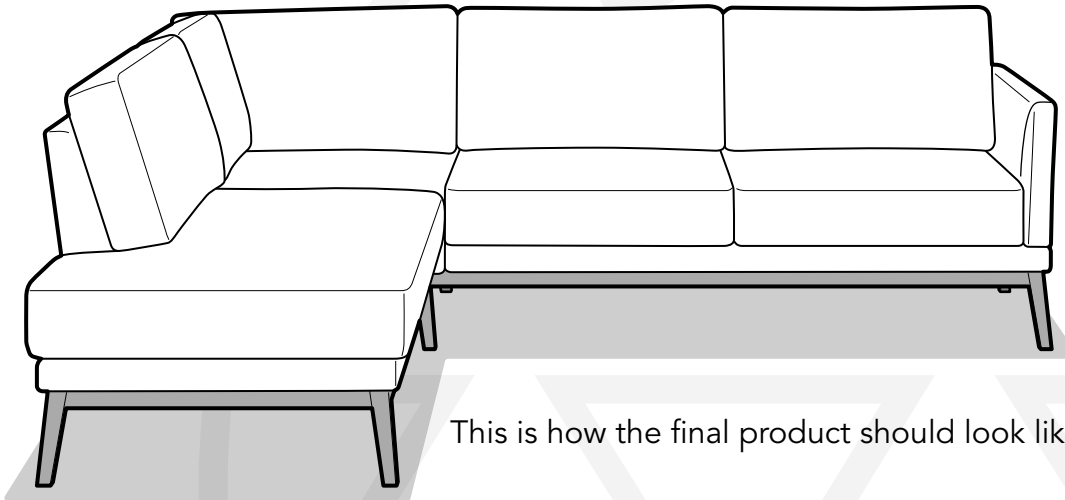
Attach the slats (use 4x60mm screws), as shown on picture



Lift up and put the sofa to the legs.



Anchors Part2 of the sofa to Part1 .



This is how the final product should look like.