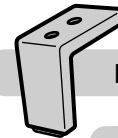
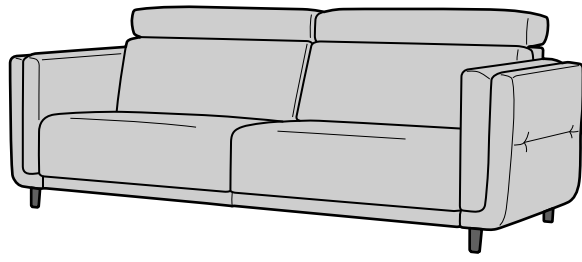
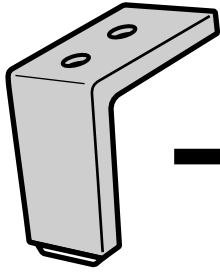


# LUONTO®

## PARIS ASSEMBLY

Locating and installing the legs

### INCLUDED



Metal Legs X4

Hex Wrenches X1

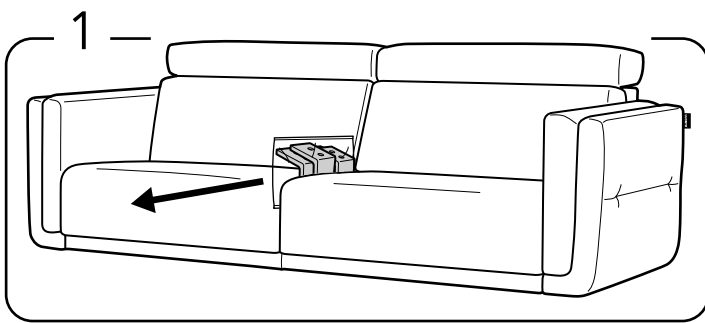


M6X25mm X8

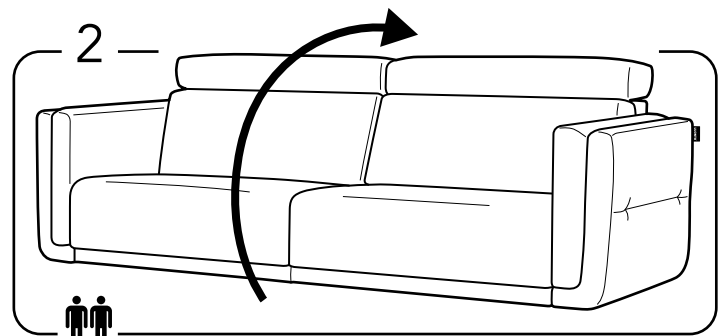
### ATTENTION!

The Legs for your Luonto Sofa are secured to the top of the seat cushion or beneath the seat cushion (in the no-sag springs) depending on the sofa or leg style.

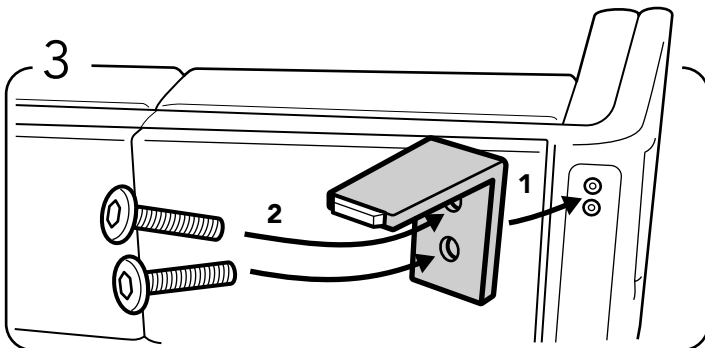
**2-Persons**  
are required



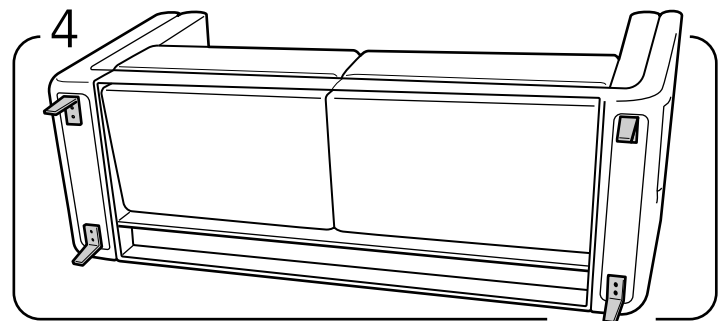
1 — Remove the legs from the top of the seat cushion.



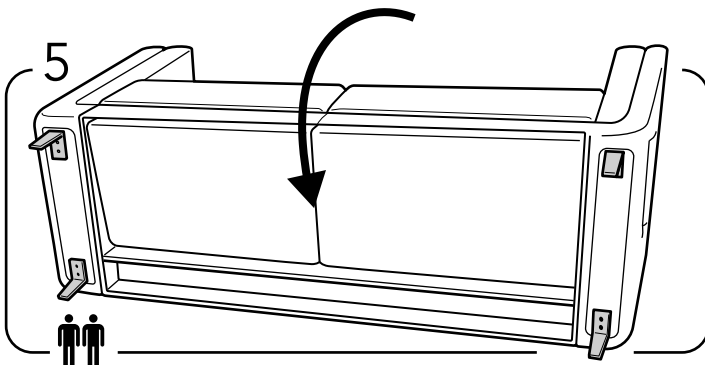
2 — Turn the sofa to the backside.



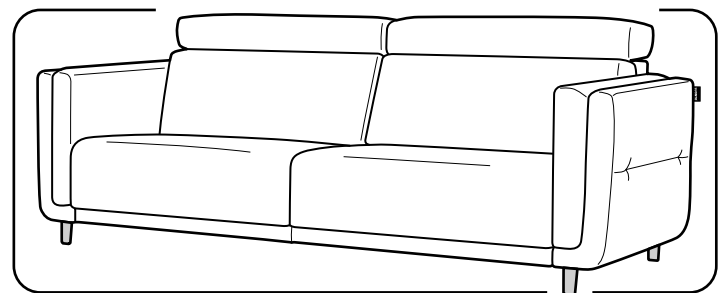
3 — Mount the metal leg in place and screw the 2 (M6X25mm) bolts into the pre-drilled holes.



4 — Repeat the same process for the 4 legs.



5 — Carefully, turn the sofa upright and ensure each of the legs are installed properly.



This is how the final product should look like

