

LUONTO®

FANTASY ASSEMBLY

Locating and installing the legs

INCLUDED

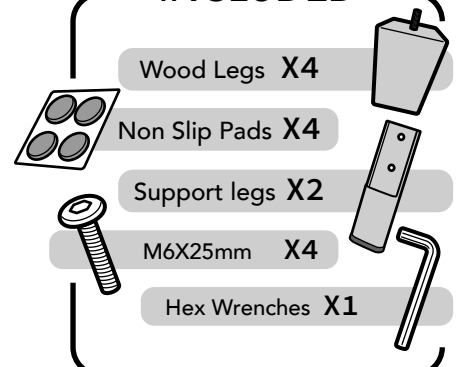
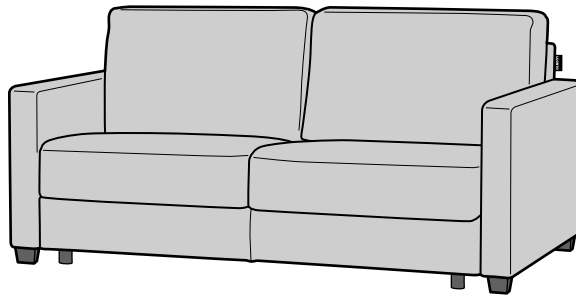
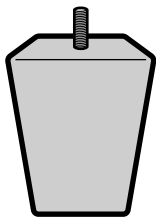
Wood Legs X4

Non Slip Pads X4

Support legs X2

M6X25mm X4

Hex Wrenches X1



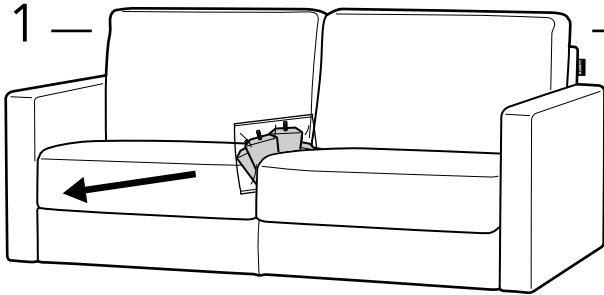
ATTENTION!

The Legs for your Luonto Sofa are secured to the top of the seat cushion or beneath the seat cushion (in the no-sag springs) depending on the sofa or leg style.

2-Persons
are required

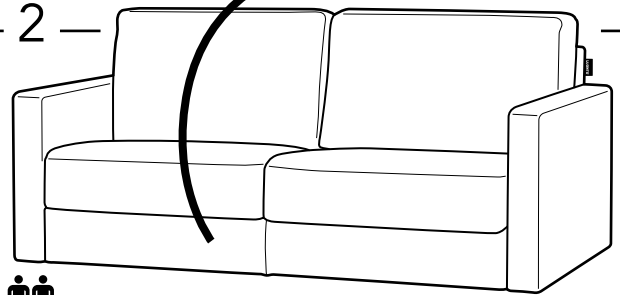


1



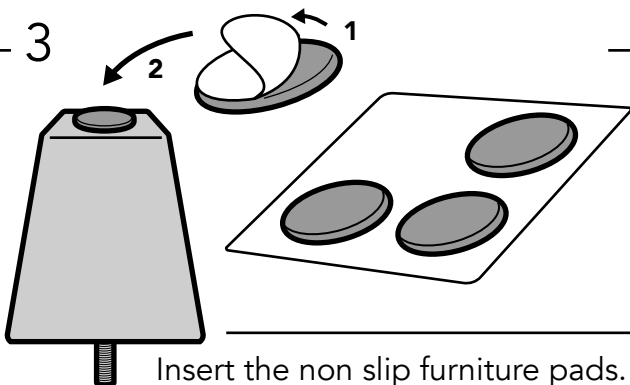
Remove the legs from the top of the seat cushion.

2



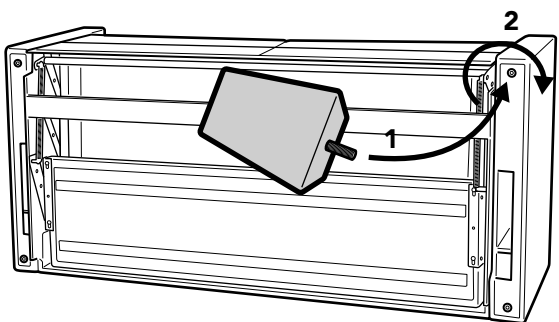
Turn the sofa to the backside.

3



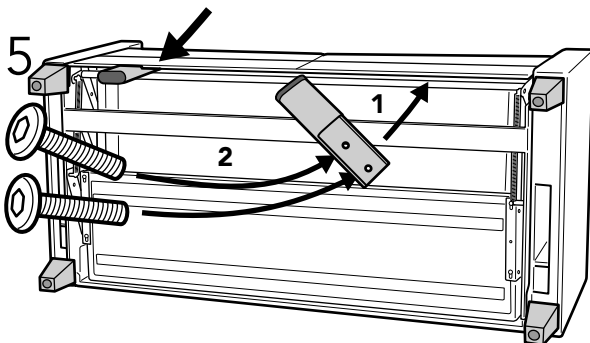
Insert the non slip furniture pads.

4



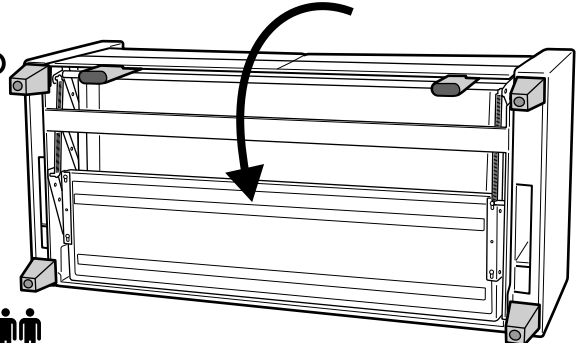
Mount them in place by twisting each clock-wise into the pre-drilled holes in each of the four.

5



Mount the support leg in place and screw the 2 (M6X25mm) bolts into the pre-drilled holes.

6



Carefully, turn the sofa upright and ensure each of the legs are installed properly.