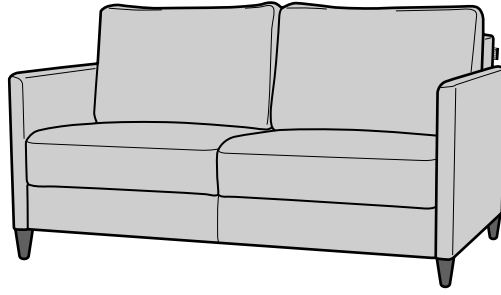


LUONTO®

ELFIN ASSEMBLY Locating and installing the legs

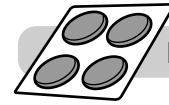


INCLUDED

Wood Legs X4



Non Slip Pads X4



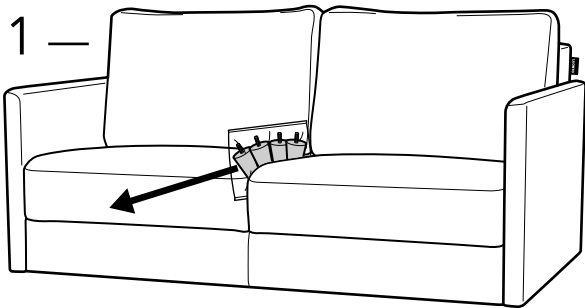
ATTENTION!

The Legs for your Luonto Sofa are secured to the top of the seat cushion or beneath the seat cushion (in the no-sag springs) depending on the sofa or leg style.

2-Persons
are required

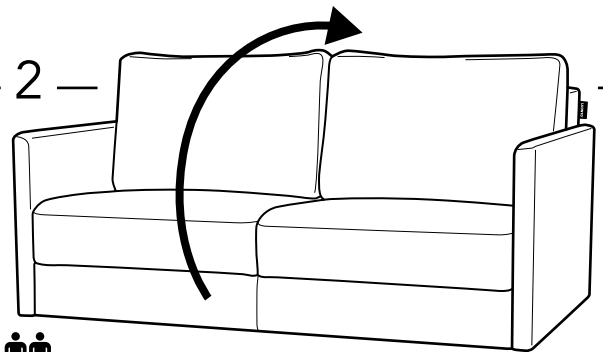


1



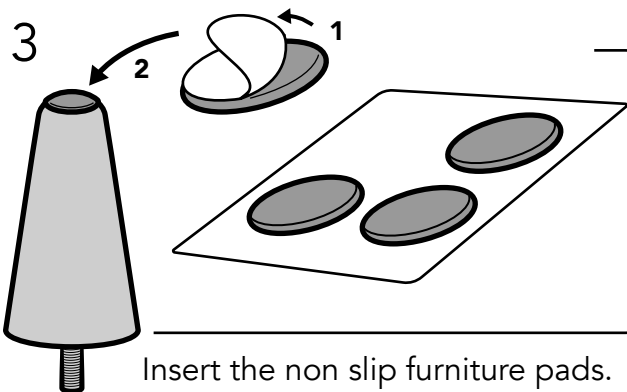
Remove the legs from the top of the seat cushion.

2



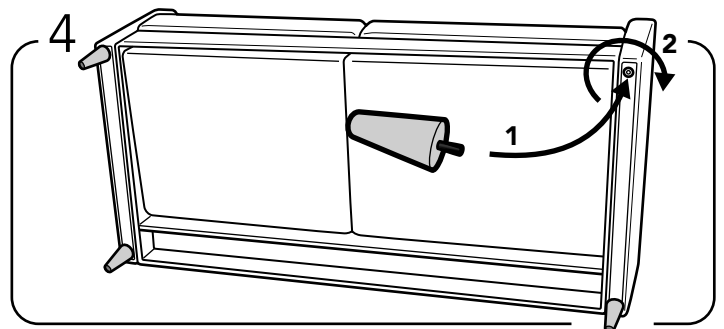
Turn the sofa to the backside.

3



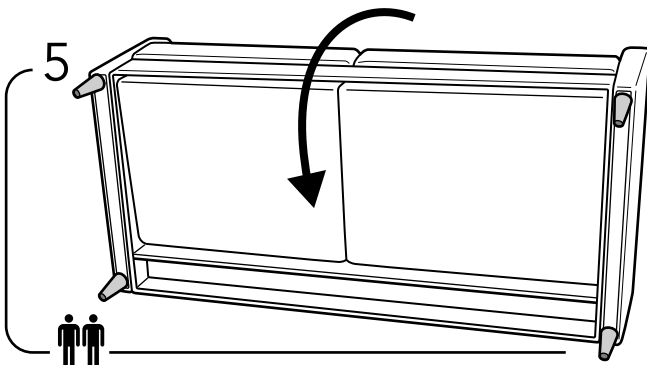
Insert the non slip furniture pads.

4

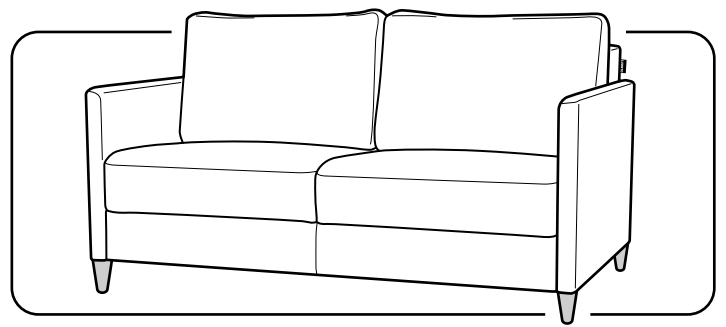


Mount them in place by twisting each clock-wise into the pre-drilled holes in each of the four.

5



Carefully, turn the sofa upright and ensure each of the legs are installed properly.



This is how the final product should look like.