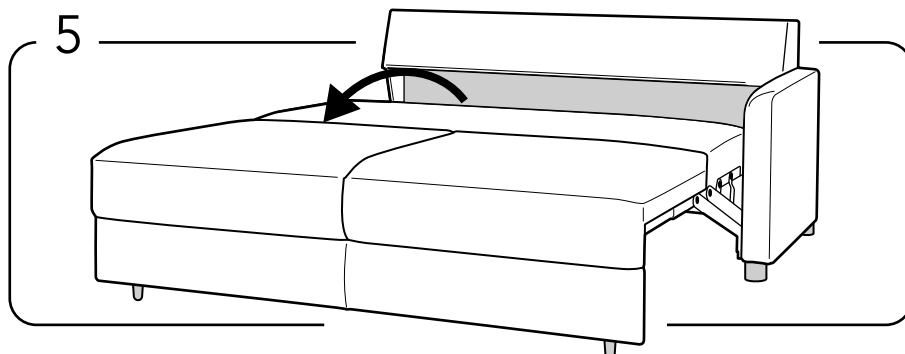
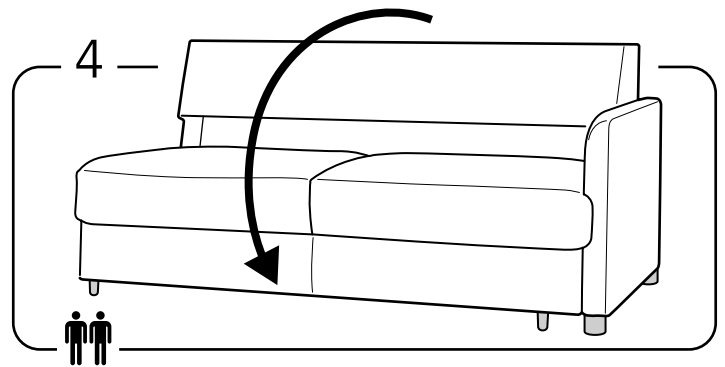
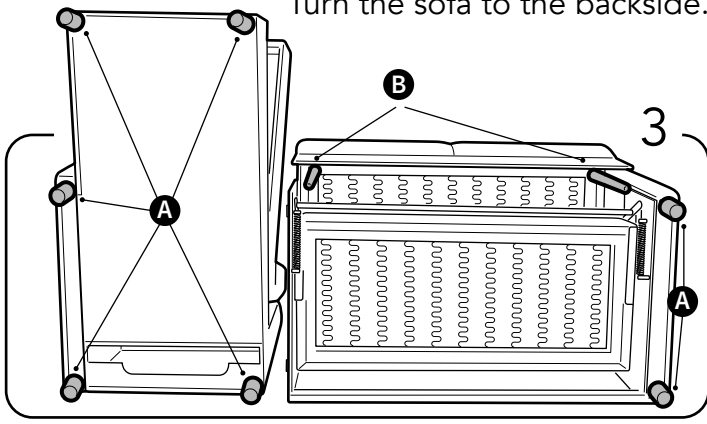
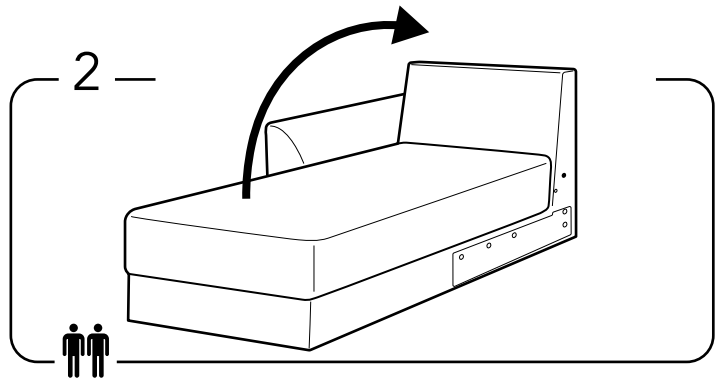
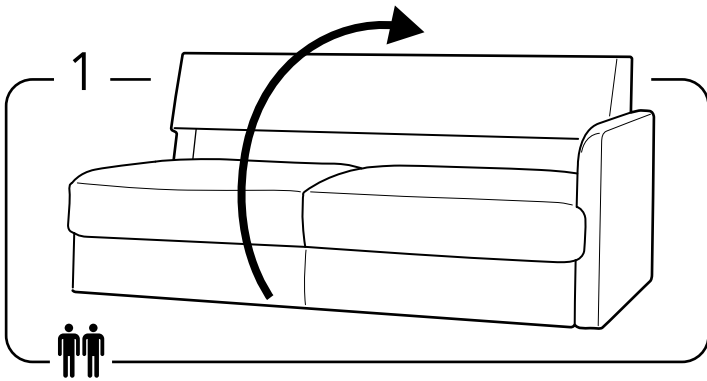
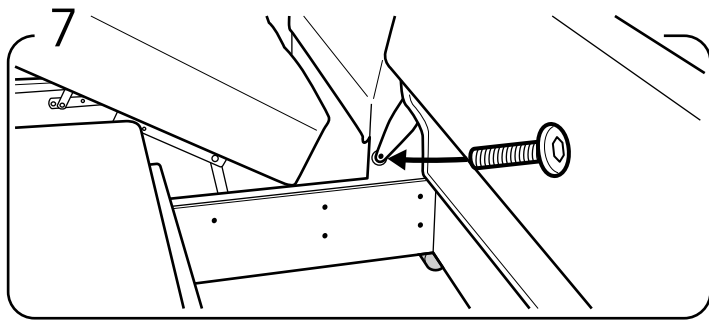
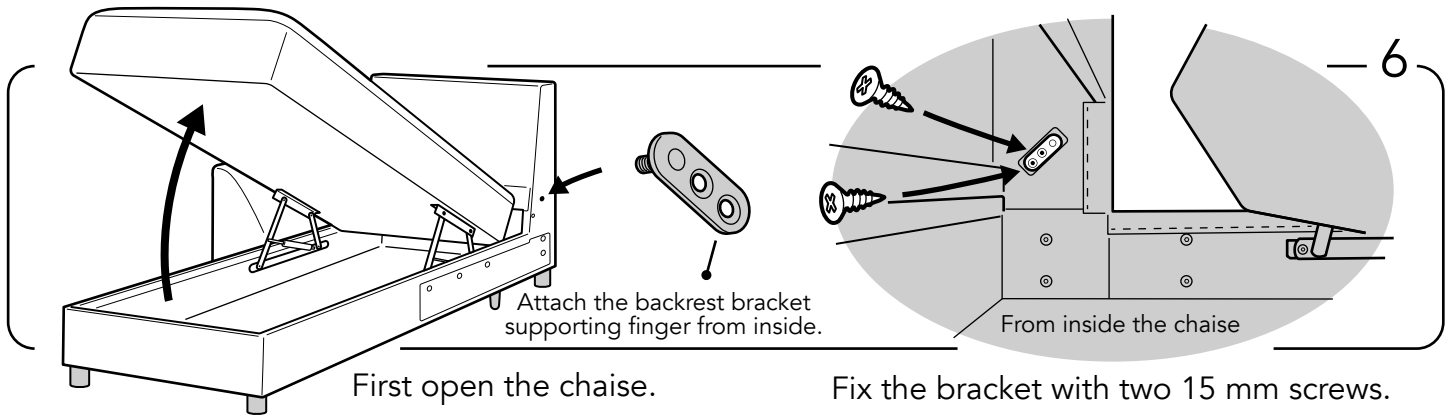


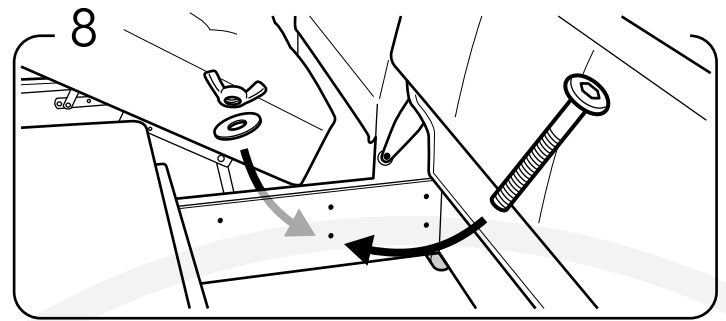
- INCLUDED**
- M6X30mm X6
 - 15mm X2
 - Hex Wrenches X1
 - M6X50mm X2
 - Butterfly nut set X2
 - Bracket X1
 - A Legs X7
 - B Support Legs X2

ATTENTION! Chase is directional and is available in right side or left side facing versions. Assembly is the same, but this chaise is NOT reversible.

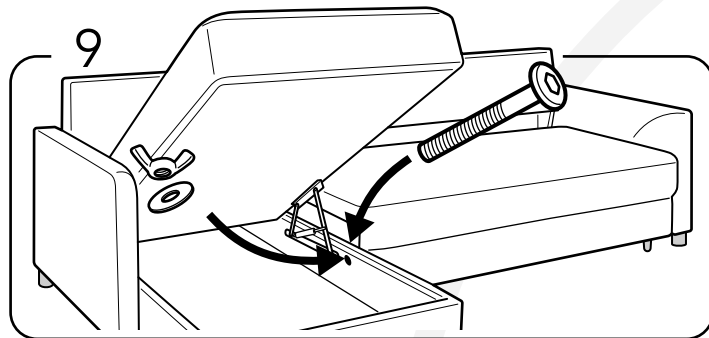




Attach the backrest to the chaise part (don't forget to use the two washers between).

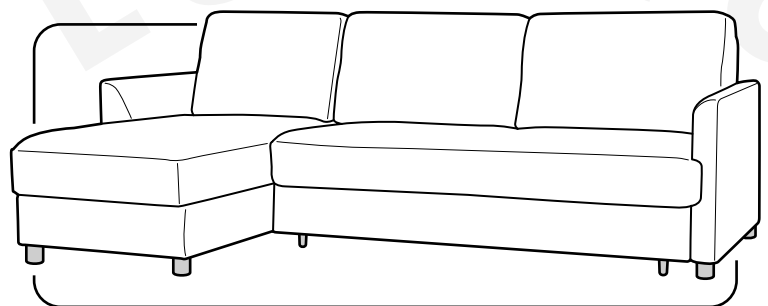


Mount the bed to openable chaise by using one bolt set on backside.



1st Close the bed mechanism.
2nd attach the bed at front with butterfly bolt set.

ATTENTION! Place the bolt from bedside and the butterfly nut from the chaise side



This is how the final product should look like.