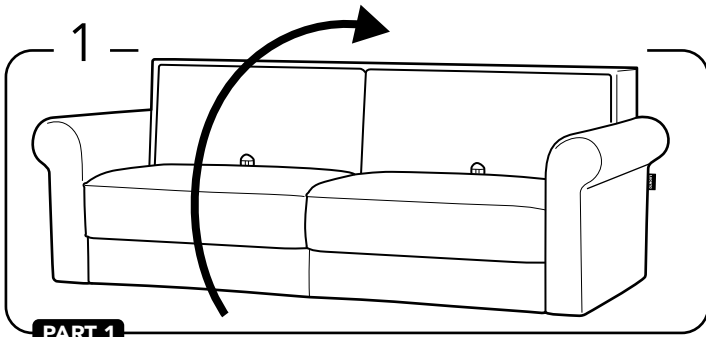
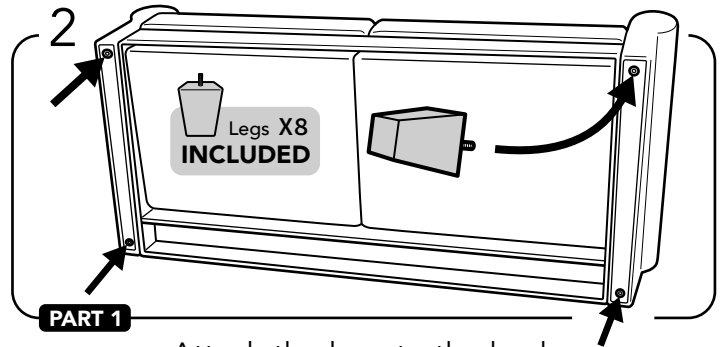


**ATTENTION!** King size sleeper can be assembled on either side. Process is same, only change is what arm is removed and mirror the process.



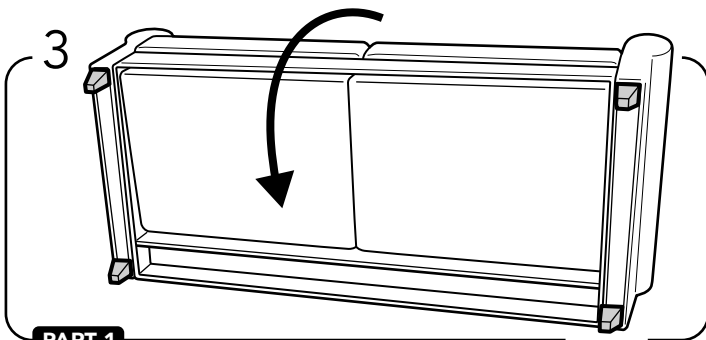
**PART 1**

Turn the bed to the backside.



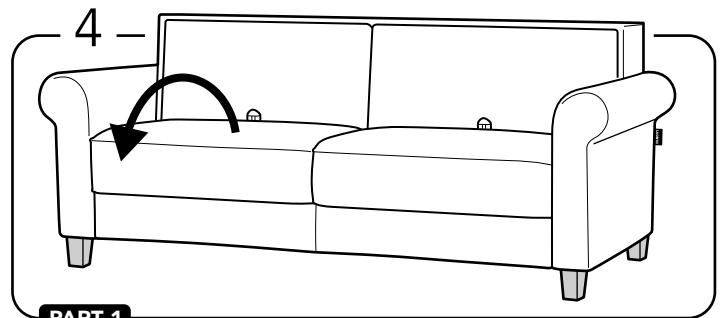
**PART 1**

Attach the legs to the bed.



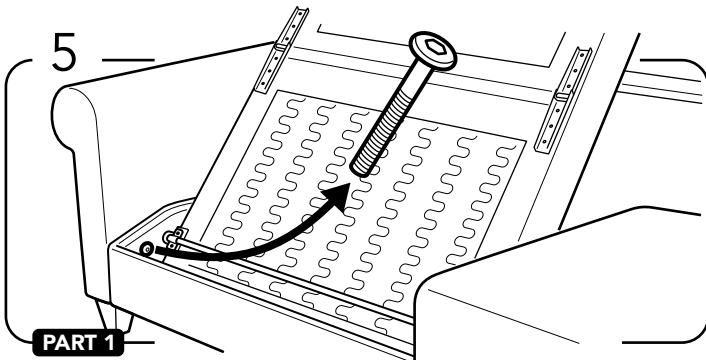
**PART 1**

Lift up and put the bed to the legs.



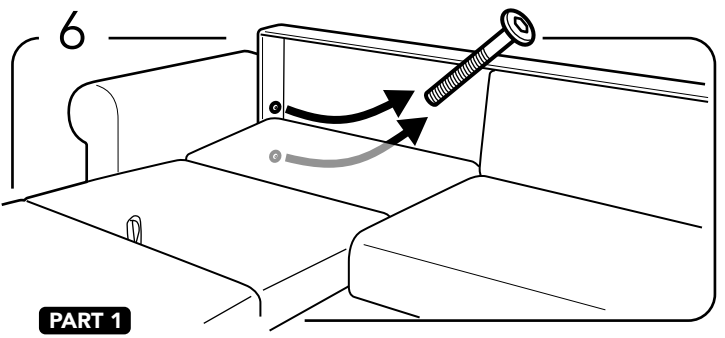
**PART 1**

Open the bed mechanism part.



**PART 1**

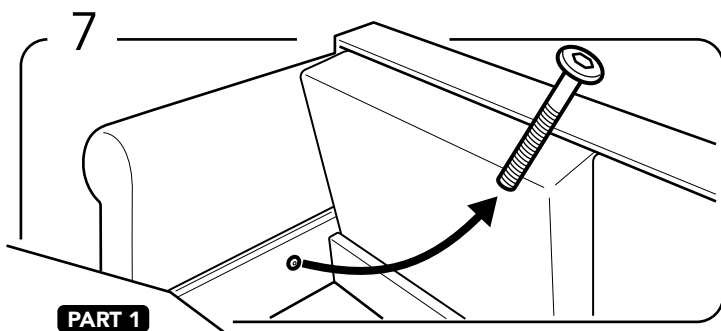
Remove the frontside armrest fixing bolt.



**PART 1**

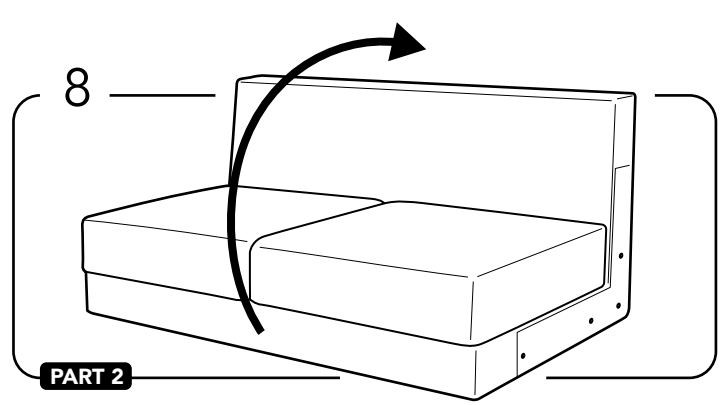
Put down the bed mechanism and remove 2 backrest fixing bolts.





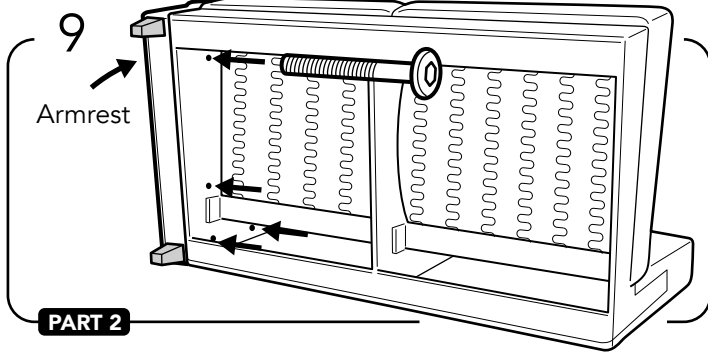
**PART 1**

Lift up the backside bed part and remove the last armrest fixing bolt.



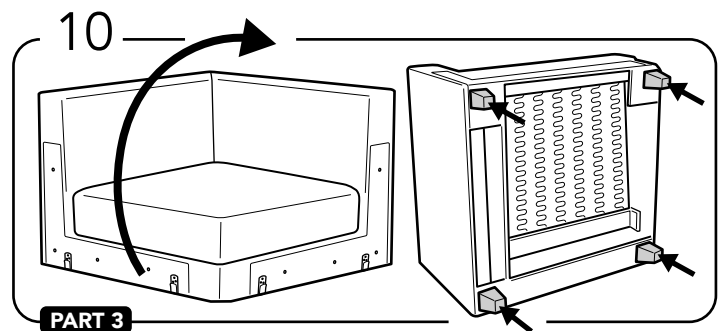
**PART 2**

Turn the stationery to the backside.



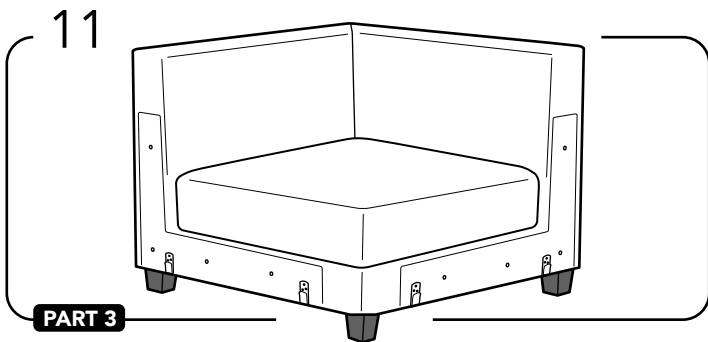
**PART 2**

Fix the armrest from inside the stationery with four (M6 x 55 bolts).



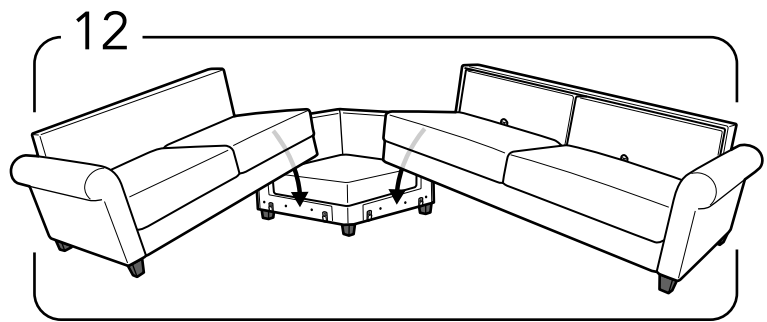
**PART 3**

Turn the corner to the backside, Then insert the 4 legs.

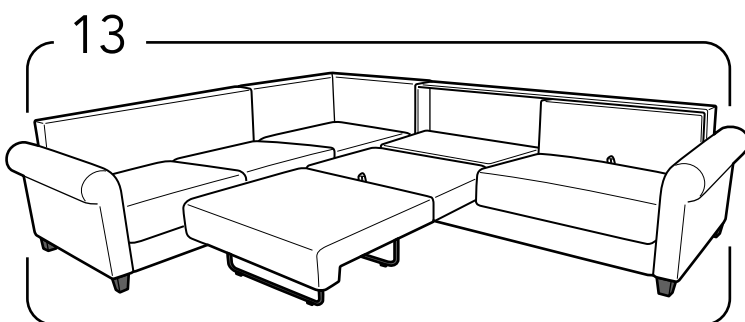


**PART 3**

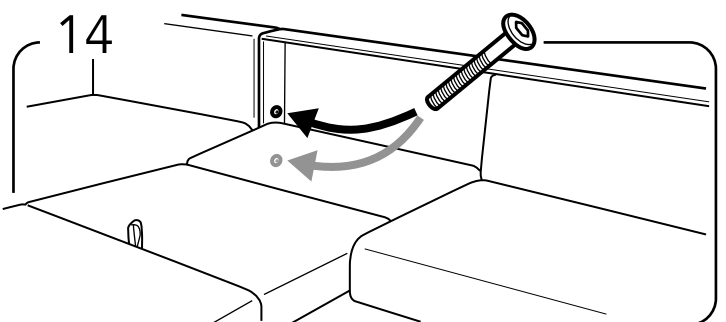
Lift up and put the corner to the legs.



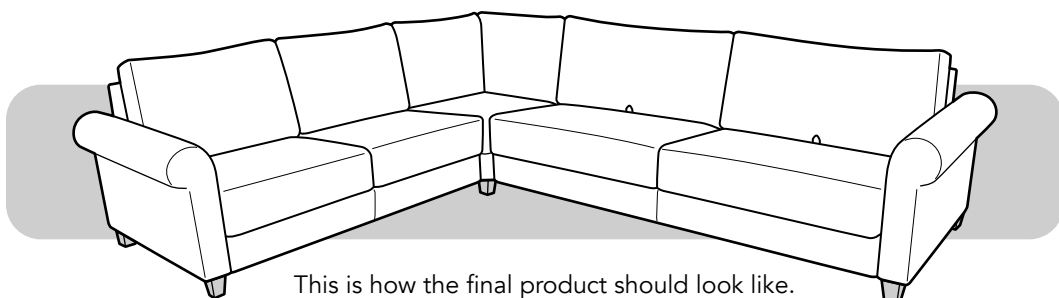
Attache the bed and the stationery parts to the corner part inside the pre-installed anchors.



Open the bed mechanism.



Put down the bed headside part and attach the bed backside to the corner part.



This is how the final product should look like.