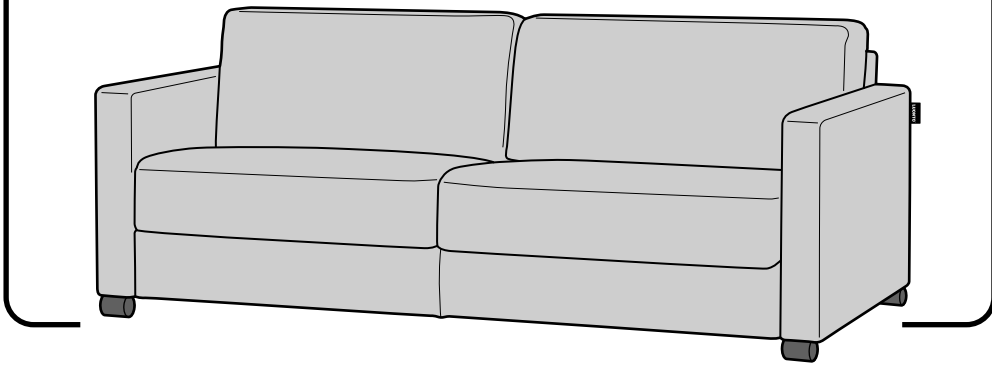


LUONTO® — ASSEMBLY INSTRUCTION



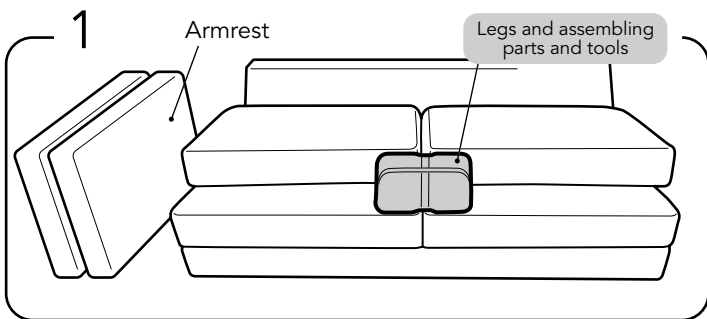
INCLUDED

- A** or Legs X7
- M6X50mm X8
- Hex Wrenches X1
- Woodscrews 3,5mmX25mm X16
- OPTIONAL! With metal legs ONLY!

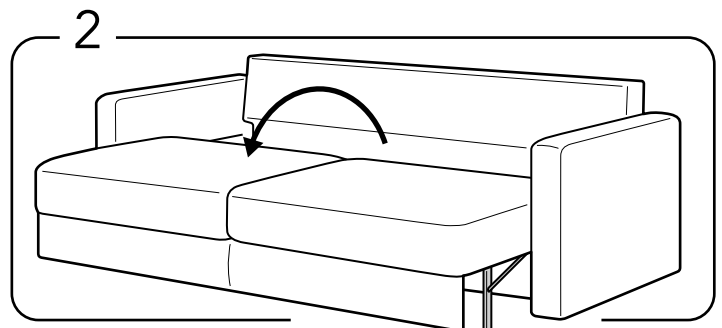
ATTENTION!

Sofa ships in 2 packages : **x1 Sofa with cushions**
x1 2 Arms in the Package

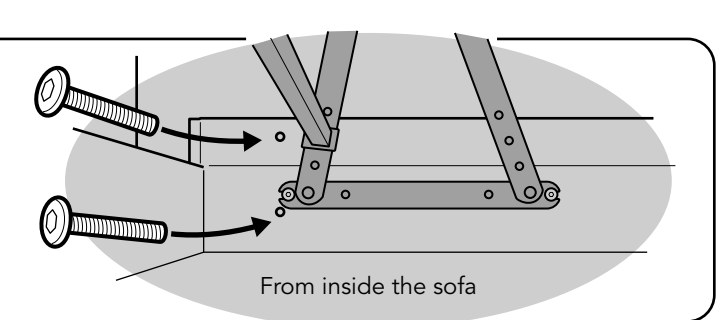
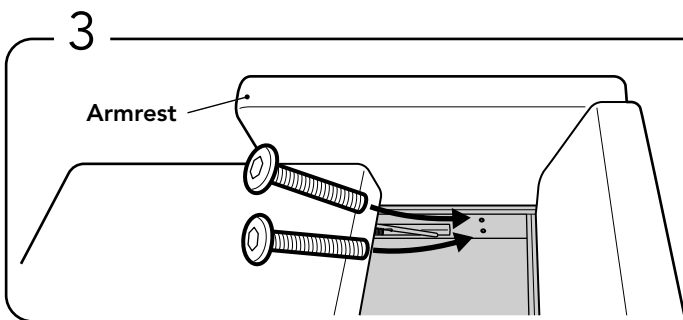
2-Persons
are required



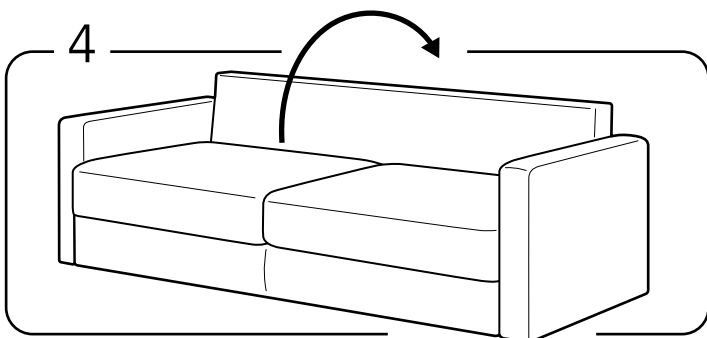
Open the package and find out legs and assembling parts and tools.



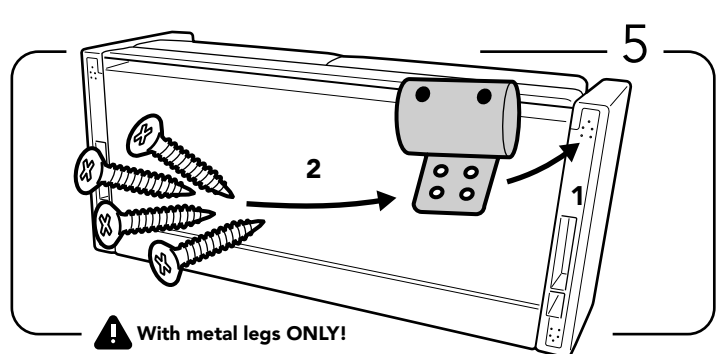
Place lift and right armrest in place, and open the mechanism completely.



Fasten sofa frame to left and right armrest with a 4 (M6 50 mm) bolts in each side.
All bolts fastened from inside out!

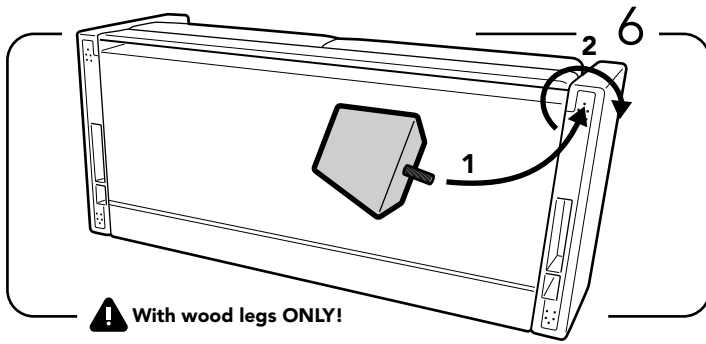


Turn the sofa to the backside.



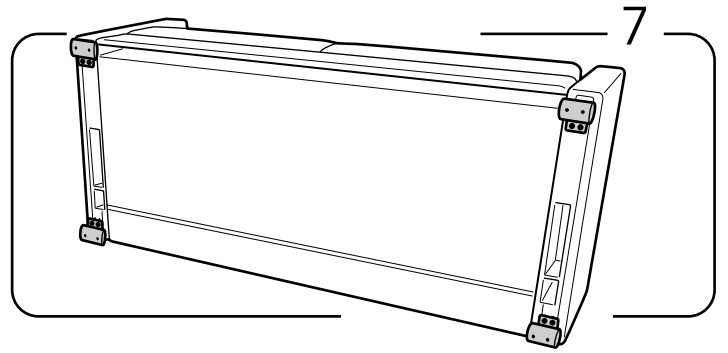
Mount the metal leg in place and screw the 4 (3,5mmX25mm) woodscrews.



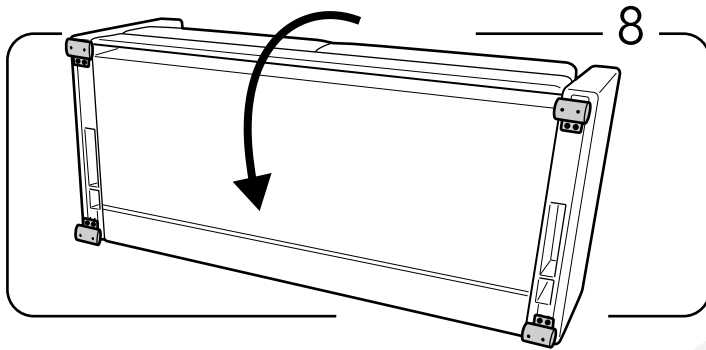


! With wood legs ONLY!

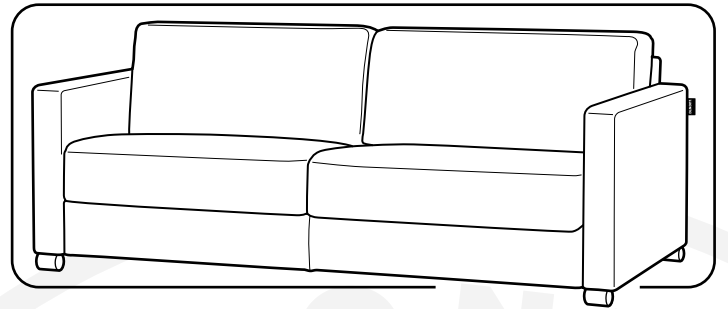
Mount them in place by twisting each clock-wise into the pre-drilled holes.



Repeat the same process for the 4 legs.



Carefully, turn the sofa upright and ensure each of the legs are installed properly.



This is how the final product should look like.