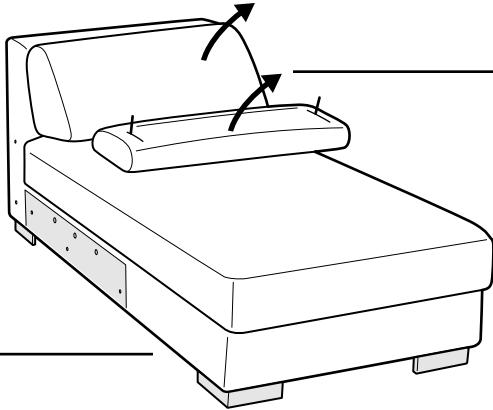
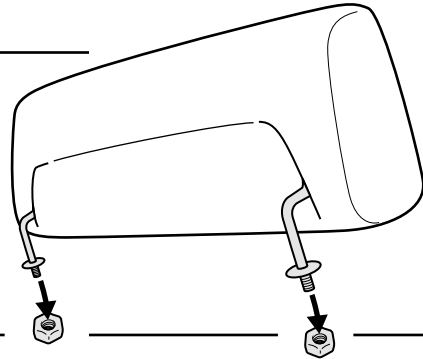


1



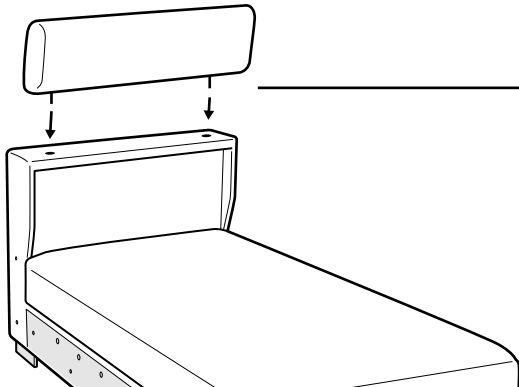
2



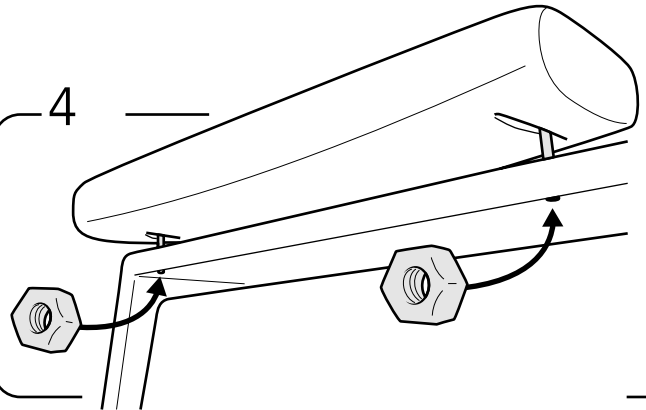
Start by removing the back cushions and ratchet back cushions from the chaise.

Remove the nuts from the ratchet back cushion.

3



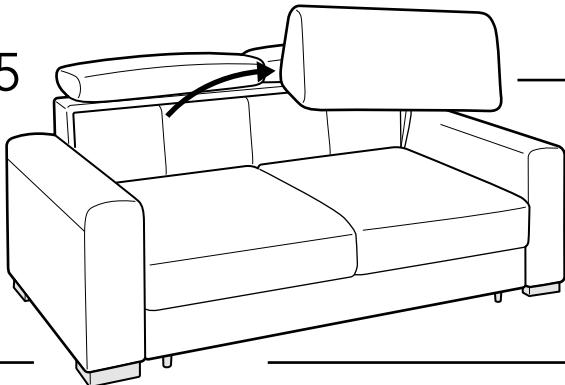
4



Insert the ratchet back into the pre-drilled holes.

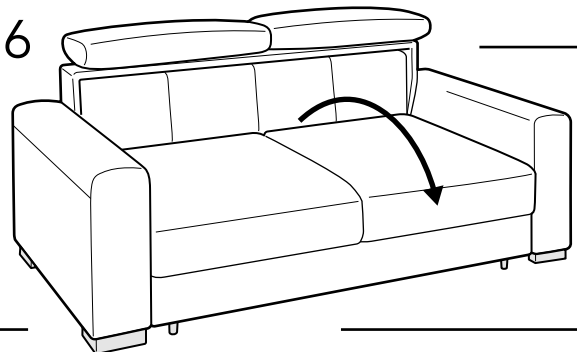
Tighten ratchet back cushion to the back frame with nuts.

5

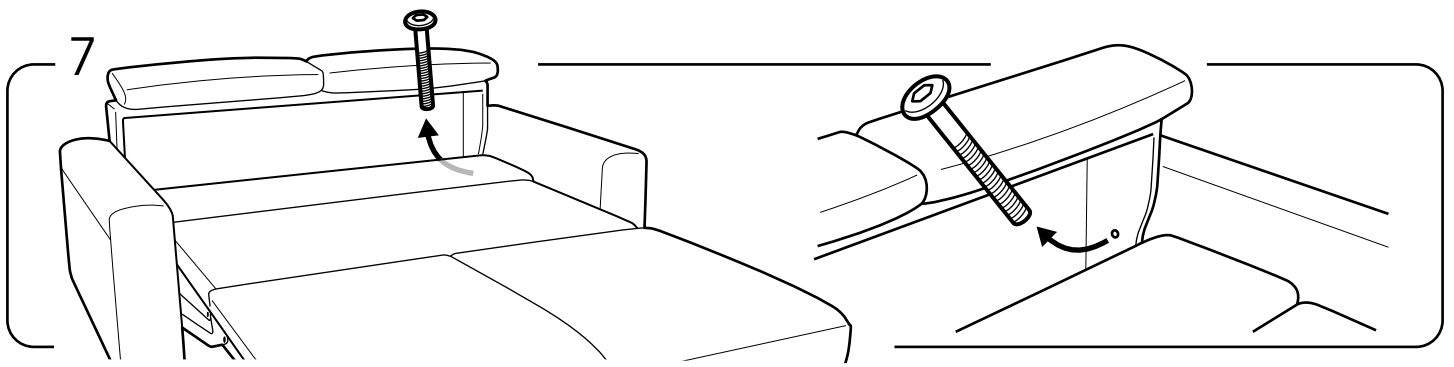


Remove the back cushion from the sofa.

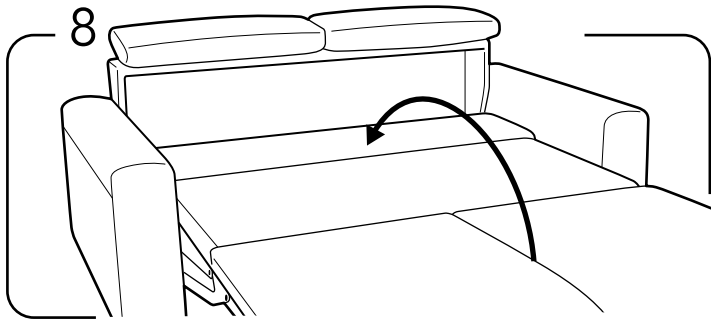
6



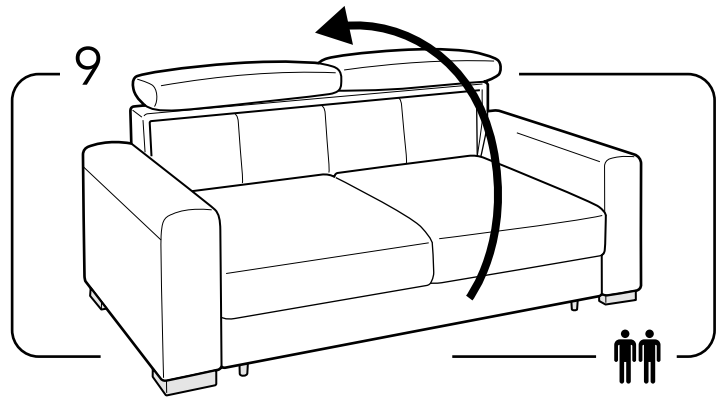
Open the bed mechanism.



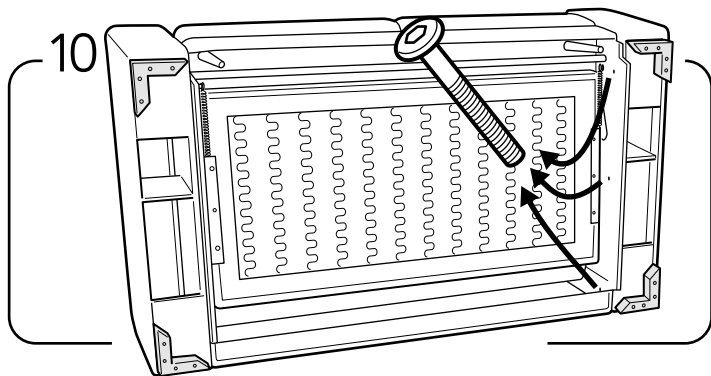
Remove the first armrest bolt from the inside as shown.



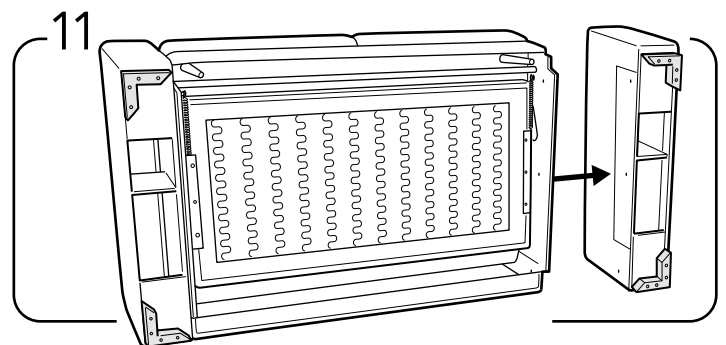
Close the bed mechanism.



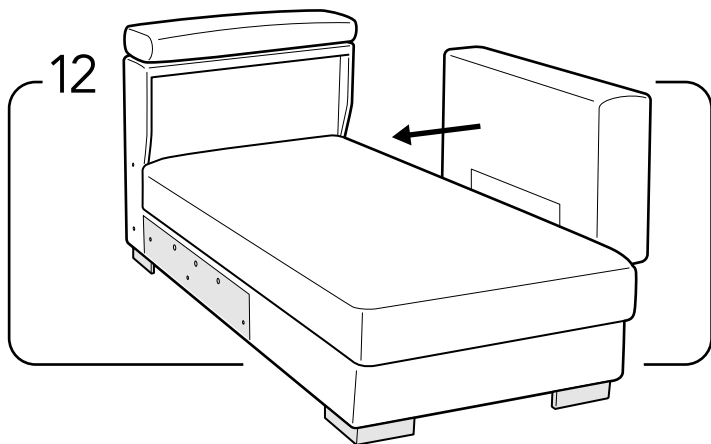
Turn the sofa to the backside.



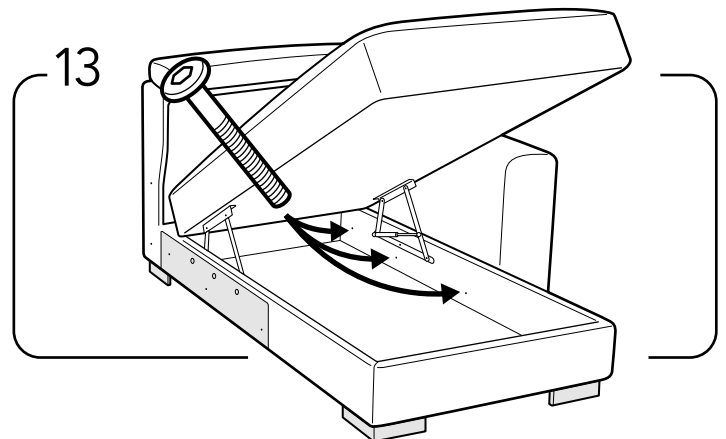
Remove the three bolts fixing the armrest.



Remove the armrest.

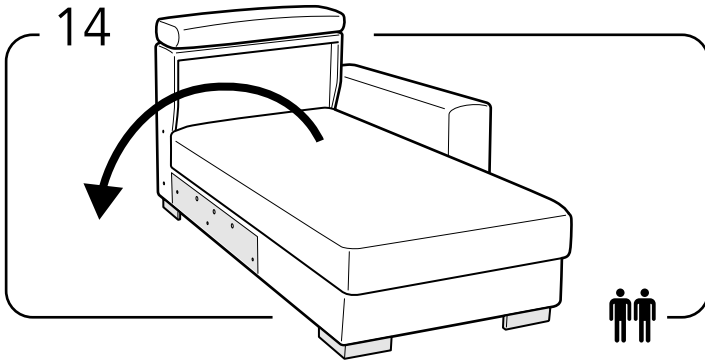


Place the armrest next to the chaise.

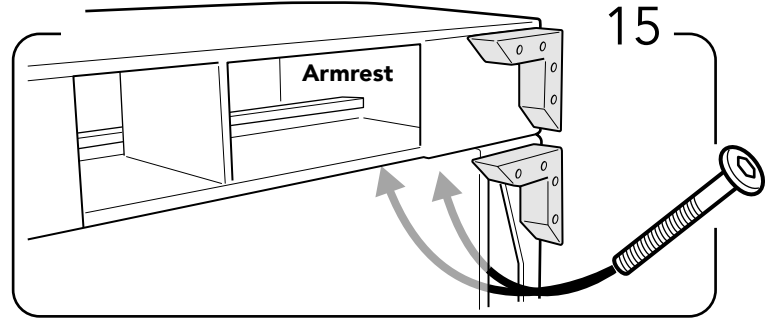


Fix the armrest with three bolts from inside the storage box.

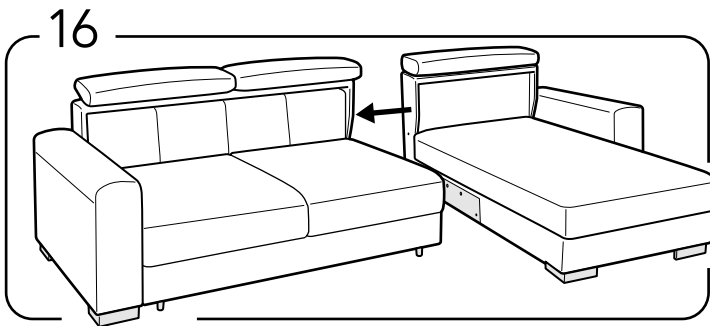
# ELLIOT SLEEPER CONT'D



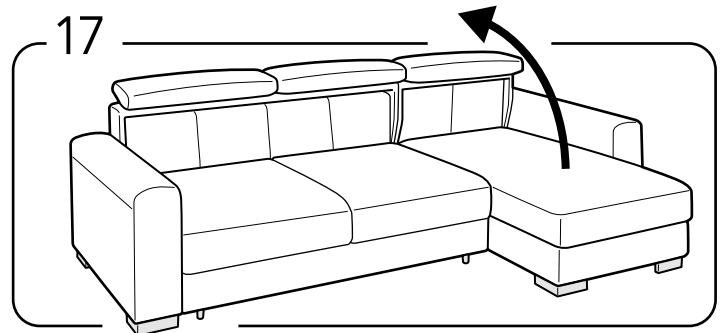
Turn the chaise to the armrest side.



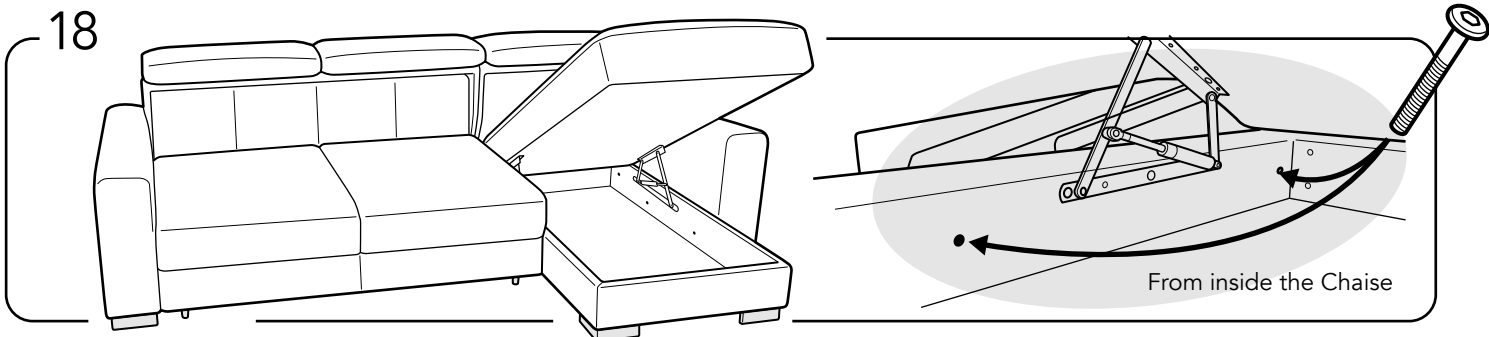
Mount the two bolts from inside the chaise as shown in the image above.



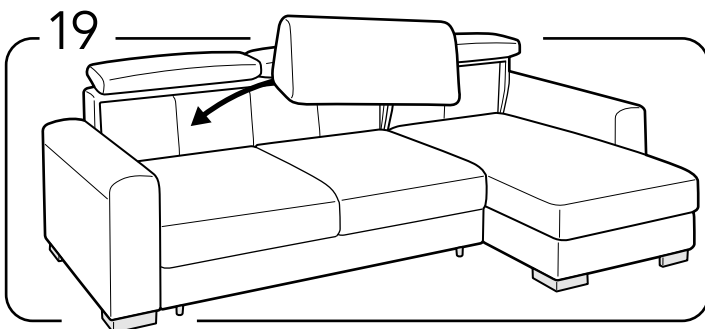
Place the chaise beside the sofa.



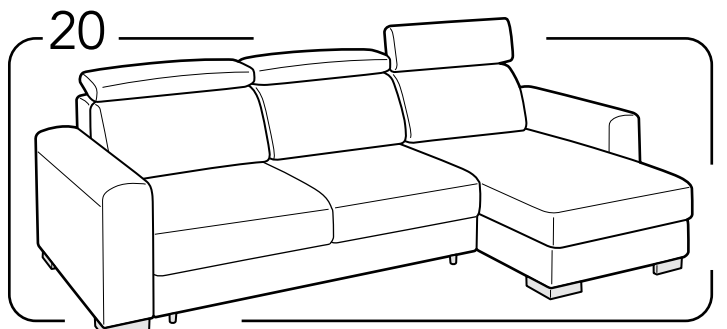
Open the chaise.



Fix the chaise with two bolts: one mounted from the front side and the second bolt mounted from the back side.



Insert the back cushions.



This is how the final product should look.