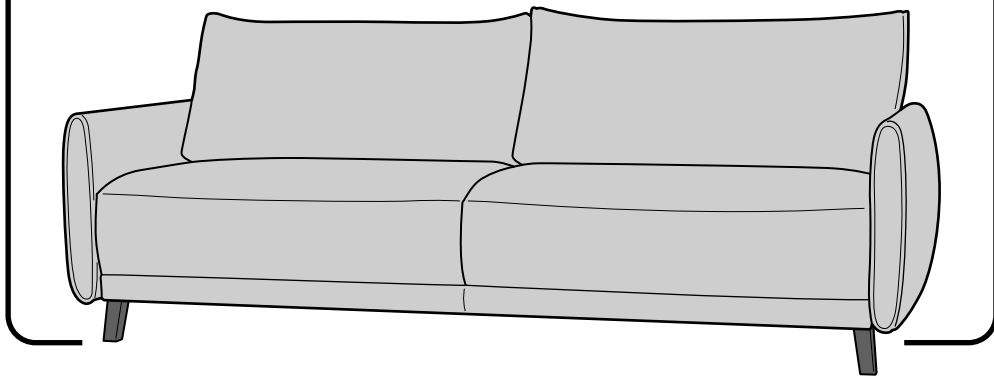
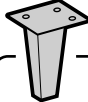
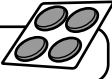


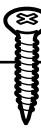



# LUONTO® – DOLPHIN SOFA ASSEMBLY



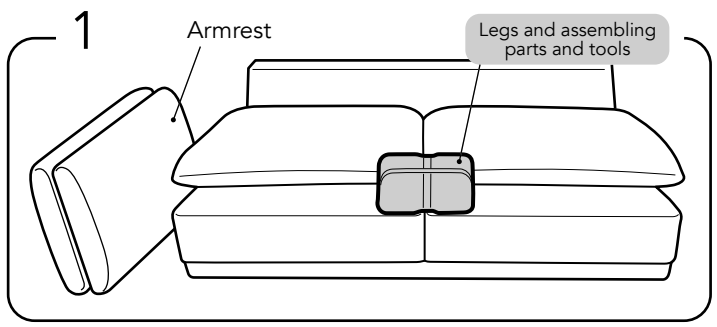
## INCLUDED

-  Legs X4
-  Non Slip Pads X4
-  M8X20mm X4
-  Hex Wrenches X2
-  Woodscrews 4,2mmX13mm X8
-  M6X50mm X8

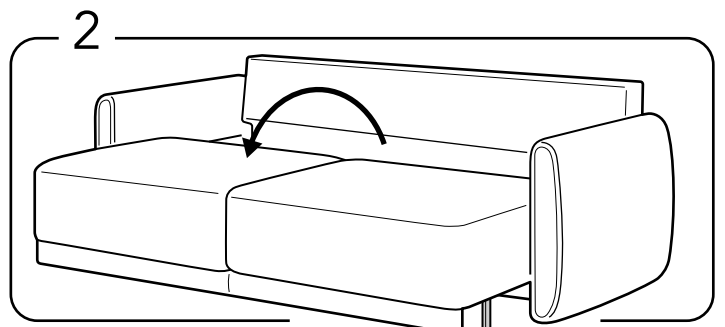
### ATTENTION!

Sofa ships in 2 packages : **x1 Sofa with cushions**  
**x1 2 Arms in the Package**

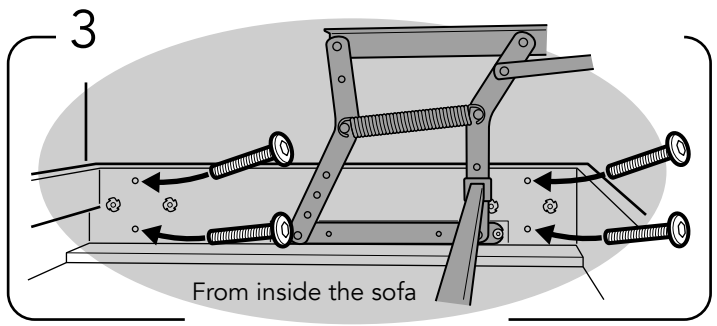
**2-Persons** are required 



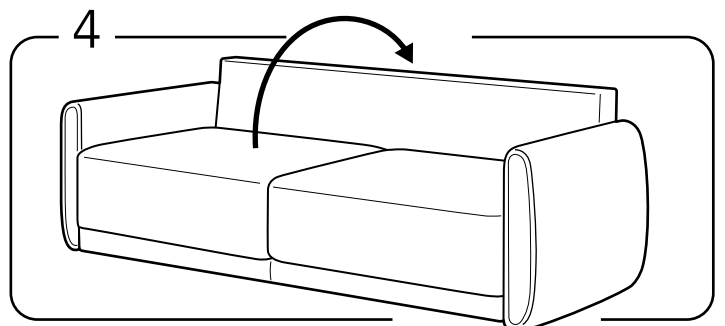
1 Open the package and find out legs and assembling parts and tools.



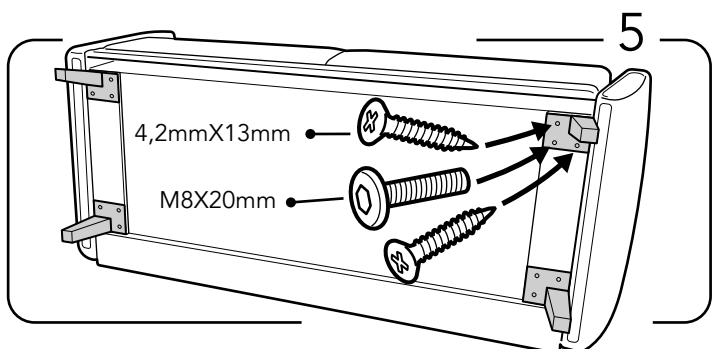
2 Place left and right armrest in place, and open the mechanism completely.



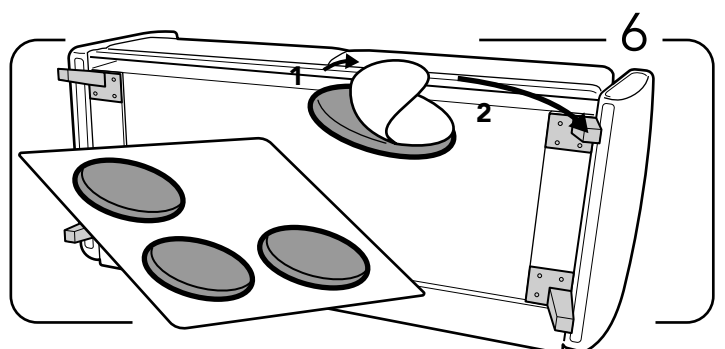
3 Fasten sofa frame to left and right armrest with a 4 (M6 50 mm) bolts in each side. All bolts fastened from inside out!



4 Turn the sofa to the backside.

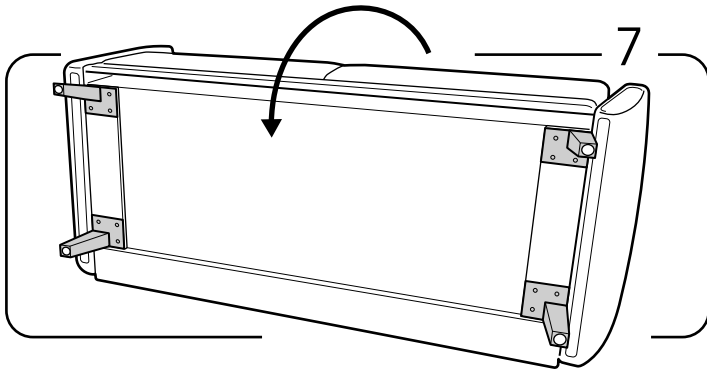


5 Attach each legs with the M6x25mm bolt to align the metal in place then use two screws on each leg.

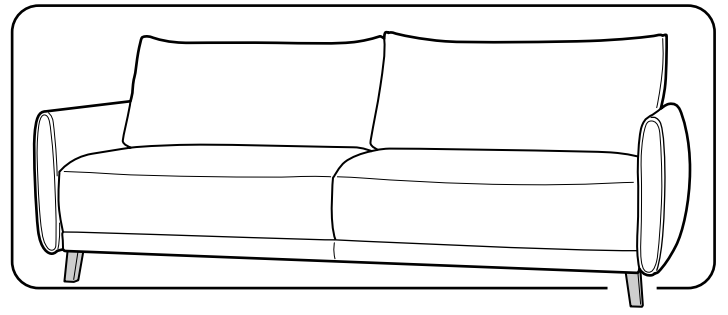


6 Insert the non slip furniture pads to the 4 legs.





Carefully, turn the sofa upright and ensure each of the legs are installed properly.



This is how the final product should look like.