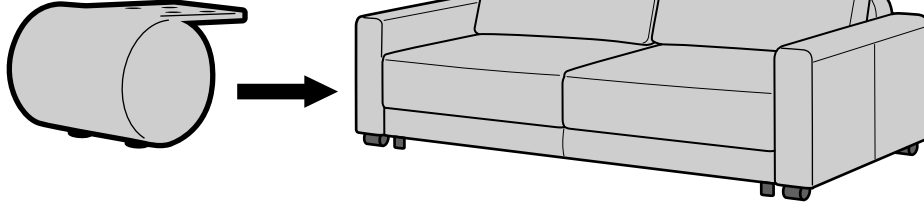


# LUONTO®

## BELTON ASSEMBLY

Locating and installing the legs



### INCLUDED

Metal Legs X4

Woodscrews X16  
3,5mmX25mm

Support legs X2

M6X25mm X4

Hex Wrenches X1

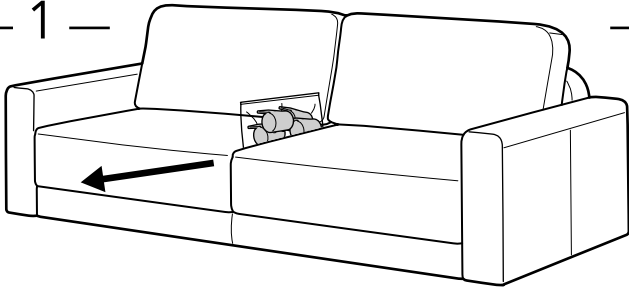
### ATTENTION!

The Legs for your Luonto Sofa are secured to the top of the seat cushion or beneath the seat cushion (in the no-sag springs) depending on the sofa or leg style.

**2-Persons**  
are required

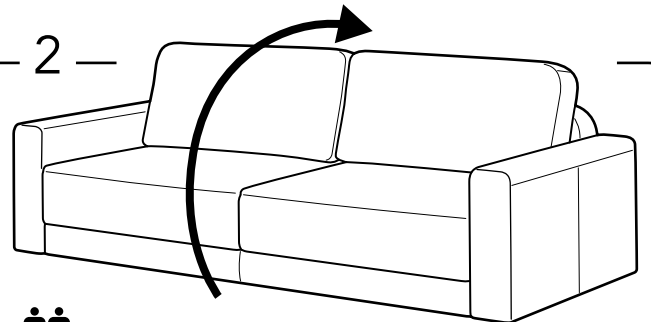


1 —



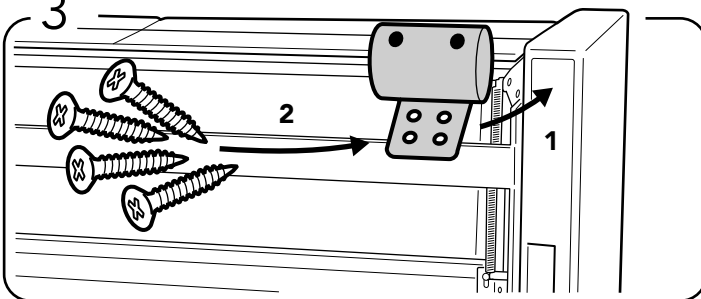
Remove the legs from the top of the seat cushion.

2 —



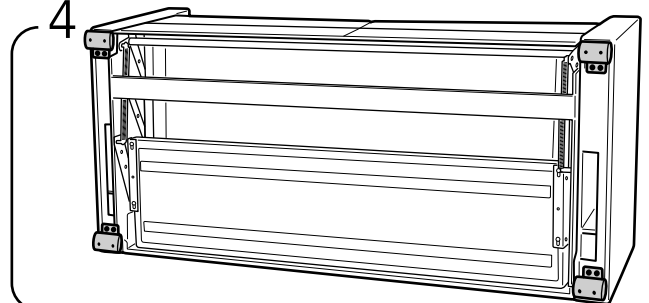
Turn the sofa to the backside.

3



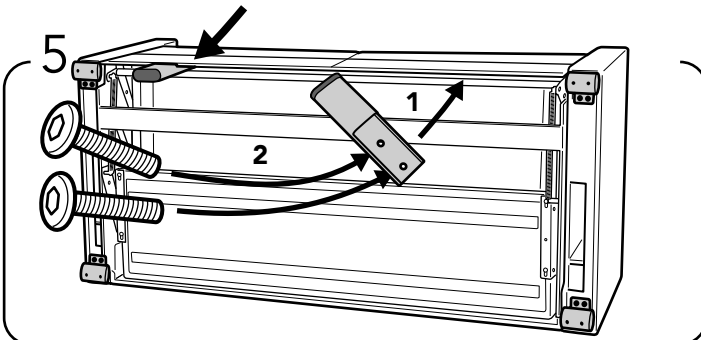
Mount the metal leg in place and screw the 4 (3,5mmX25mm) woodscrews.

4



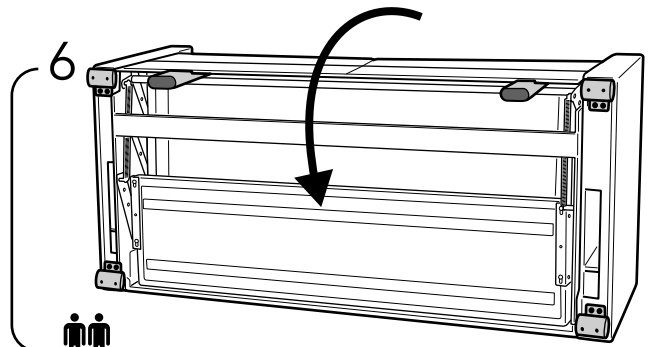
Repeat the same process for the 4 legs.

5



Mount the support leg in place and screw the 2 (M6X25mm) bolts into the pre-drilled holes.

6



Carefully, turn the sofa upright and ensure each of the legs are installed properly.