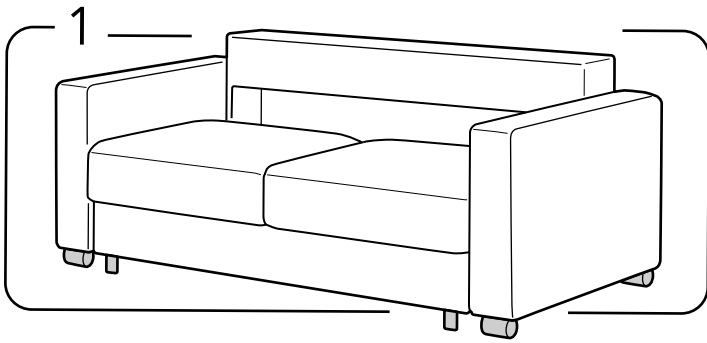
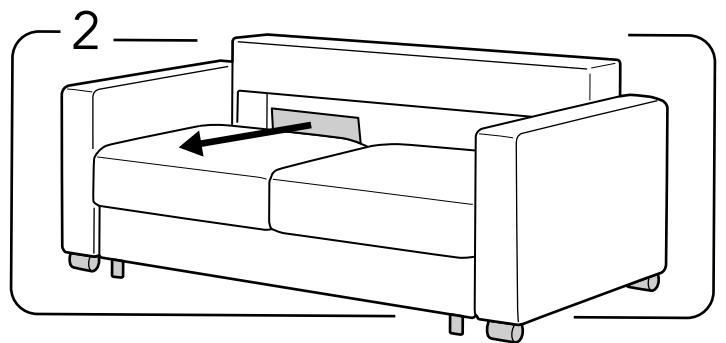


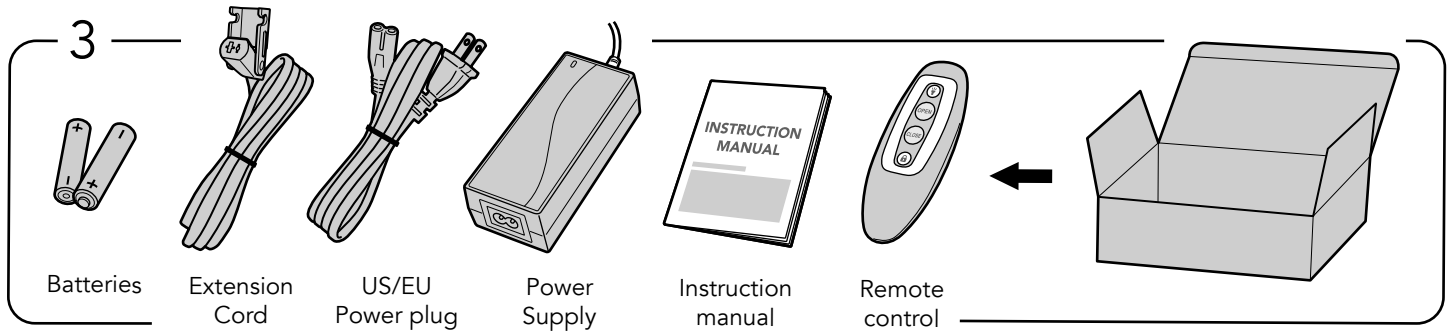
LUONTO[®] LEVEL ASSEMBLY WITH POWER



Put the Mechanism/Sofa frame to the clean and **level floor**.



There should be a padded envelope inside of the sofa frame containing all of the loose electrical components.



Batteries

Extension Cord

US/EU Power plug

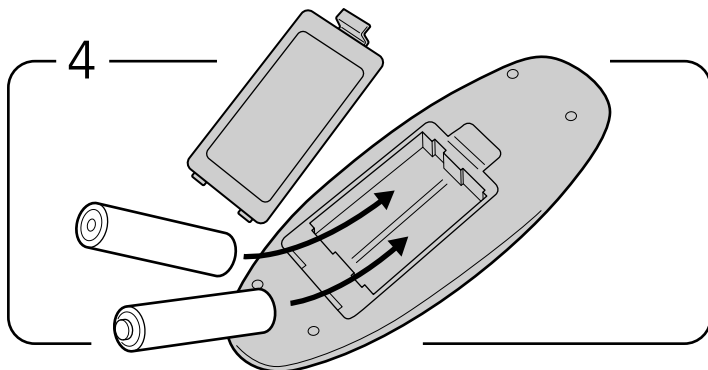
Power Supply

INSTRUCTION MANUAL

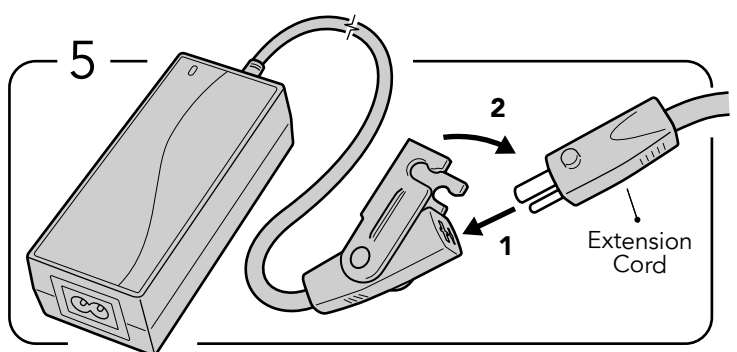
Instruction manual

Remote control

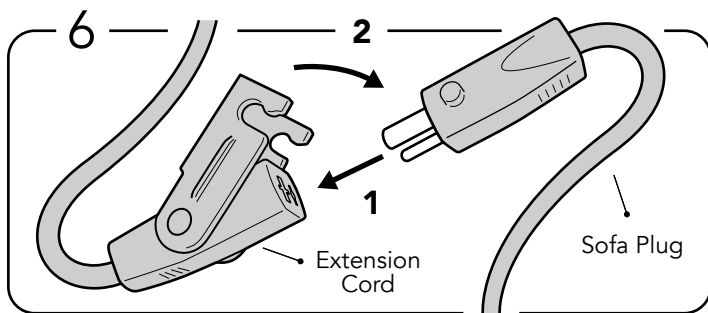
Check Electrical Components



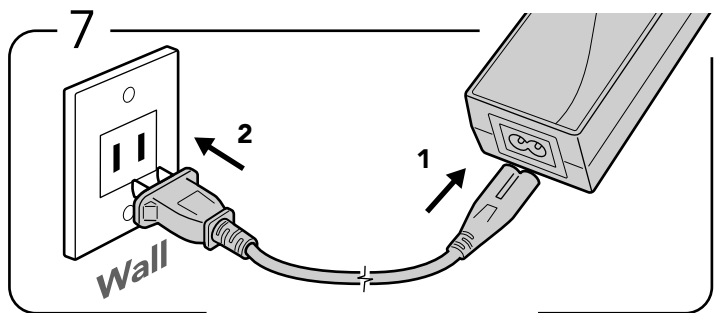
Insert batteries (provided) into remote control in the direction pictured on the remote.



Plug the extension cord in to the Power Supply Box.



Locate the plug from under the sofa and connect to the Power Supply Box.



1- Connect the Wall Plug to the Power Supply.
2- Plug the Power Supply Box in the wall.