

# LUONTO®

## BELTON ASSEMBLY Locating and installing the legs

### INCLUDED

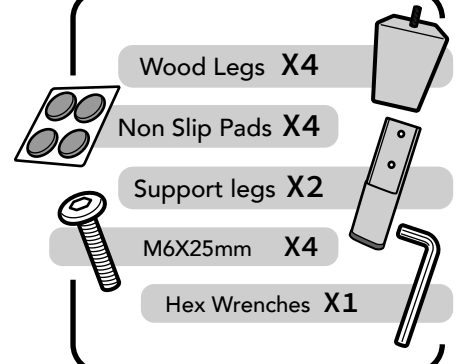
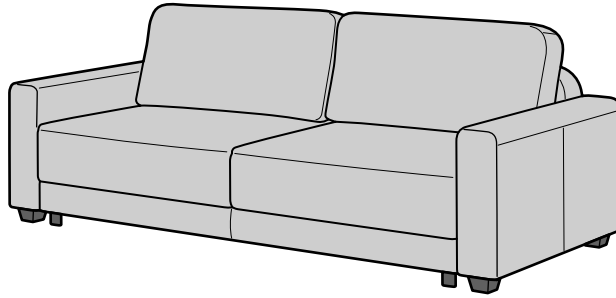
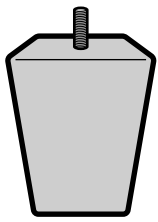
Wood Legs X4

Non Slip Pads X4

Support legs X2

M6X25mm X4

Hex Wrenches X1



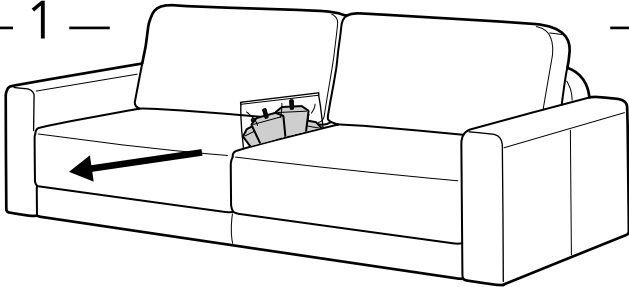
### ATTENTION!

The Legs for your Luonto Sofa are secured to the top of the seat cushion or beneath the seat cushion (in the no-sag springs) depending on the sofa or leg style.

**2-Persons**  
are required

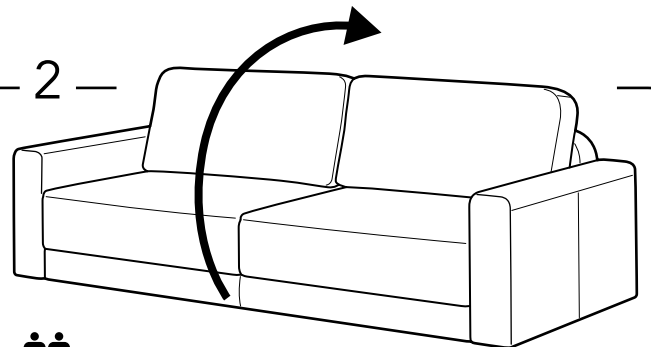


1



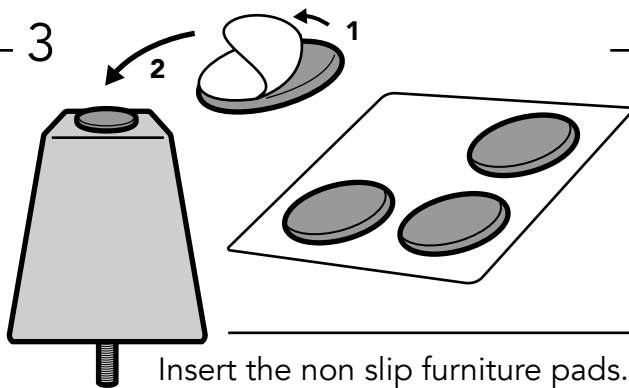
Remove the legs from the top of the seat cushion.

2



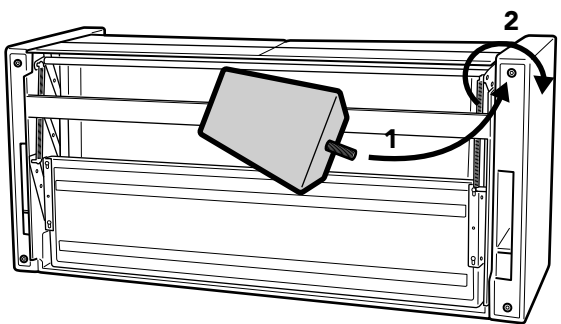
Turn the sofa to the backside.

3



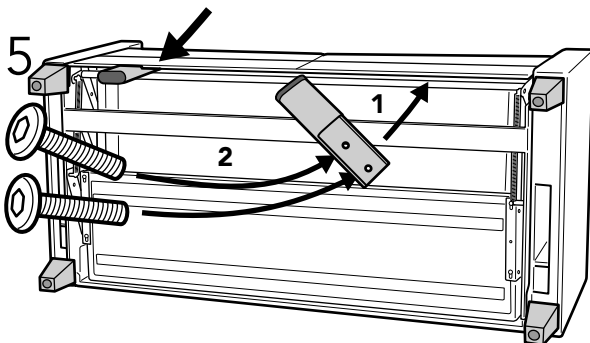
Insert the non slip furniture pads.

4



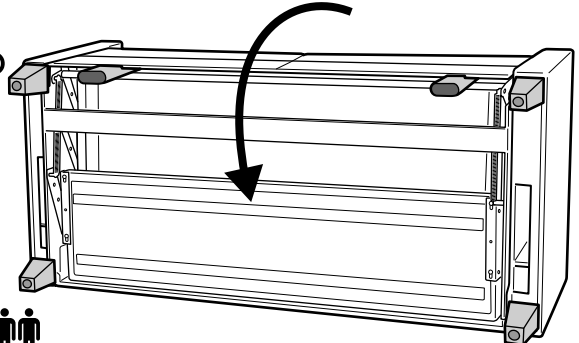
Mount them in place by twisting each clock-wise into the pre-drilled holes in each of the four.

5



Mount the support leg in place and screw the 2 (M6X25mm) bolts into the pre-drilled holes.

6



Carefully, turn the sofa upright and ensure each of the legs are installed properly.