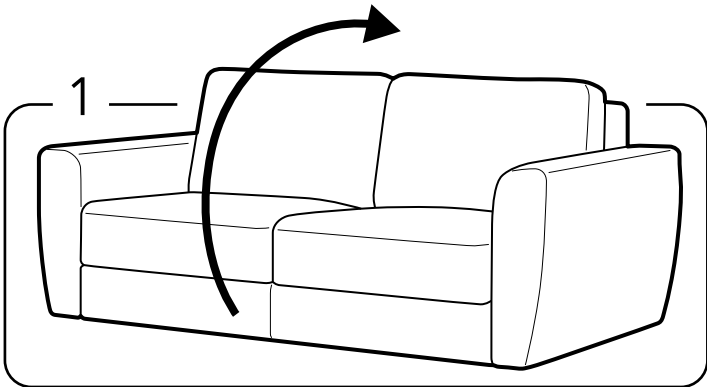
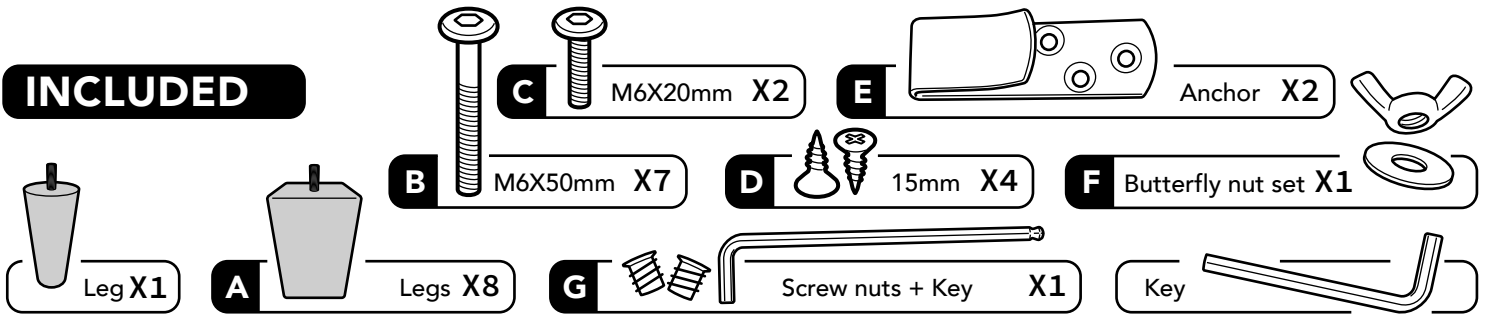
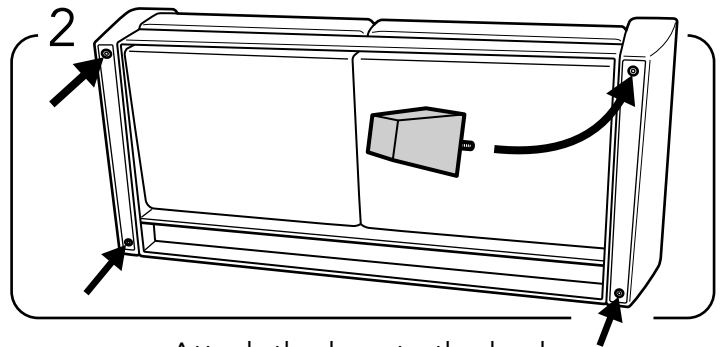


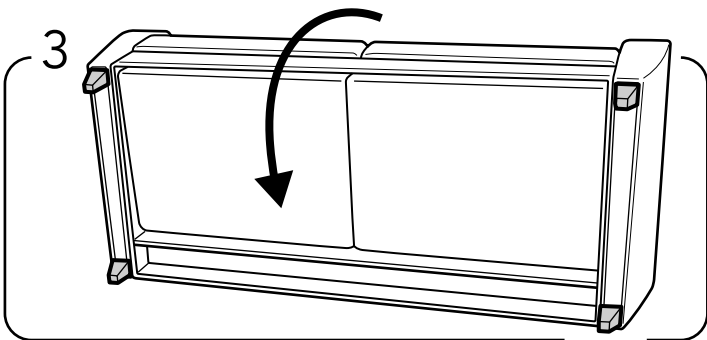
INCLUDED



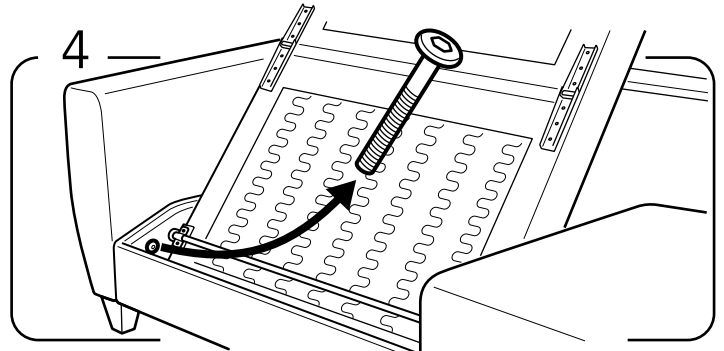
Turn the bed to the backside.



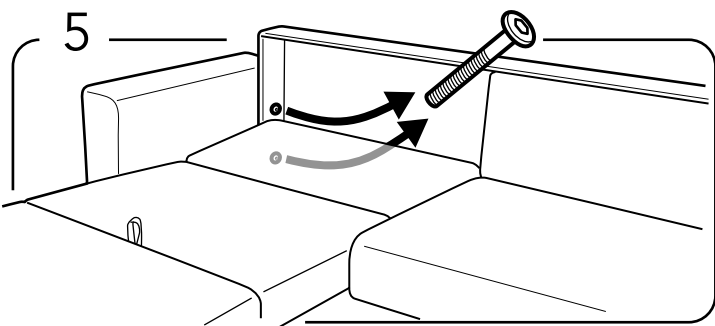
Attach the legs to the bed.



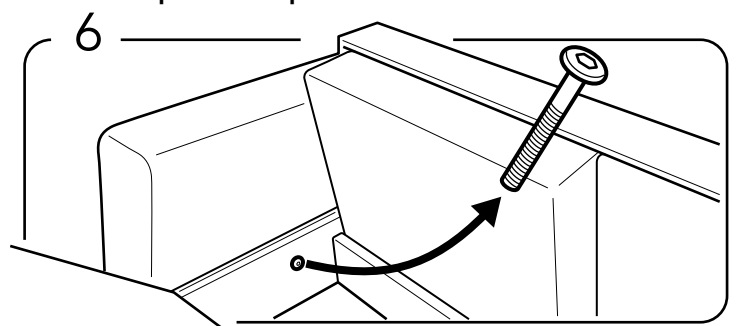
Lift up and put the bed to the legs.



Remove the frontside armrest fixing bolt.
Note: We placed the openable chaise to the left side of bed.

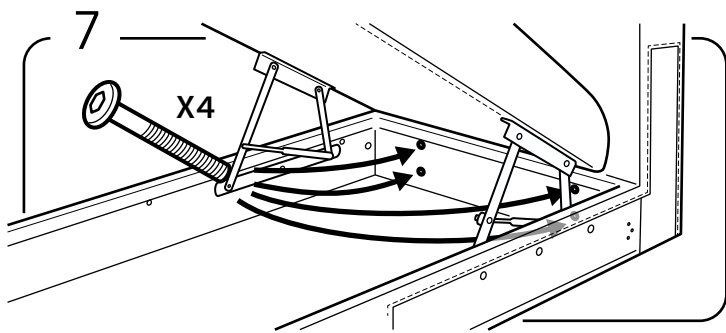


Put down the bed mechanism and remove 2 backrest fixing bolts.

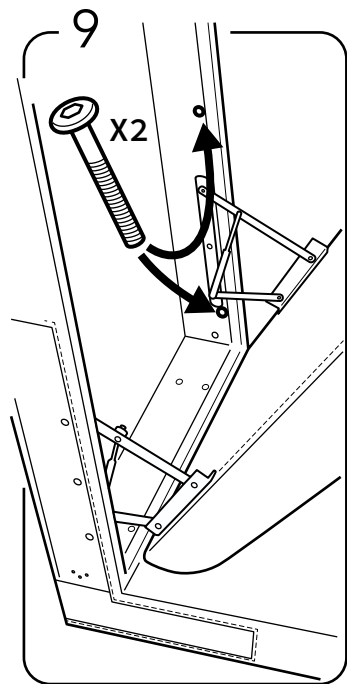


Lift up the backside bed part and remove the last armrest fixing bolt.

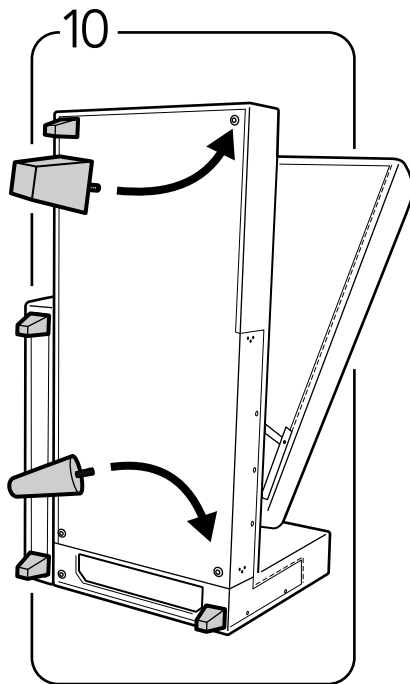




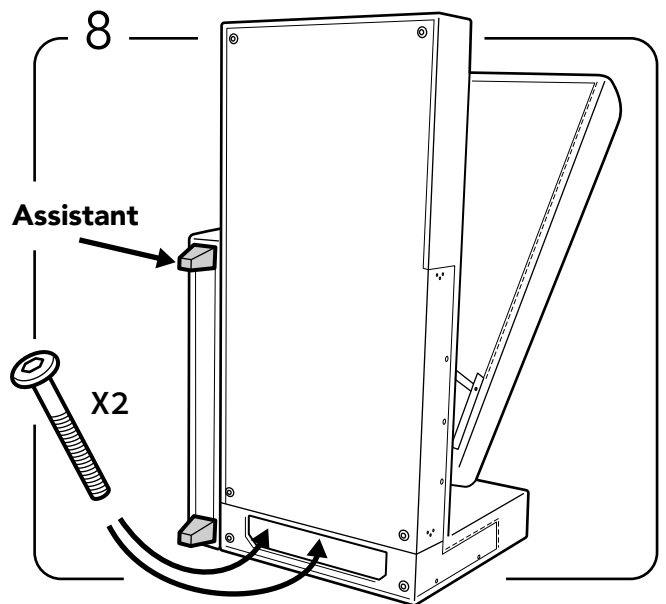
Now lift up the openable chaise part and attach the backside with 4 (M6x50mm) bolts



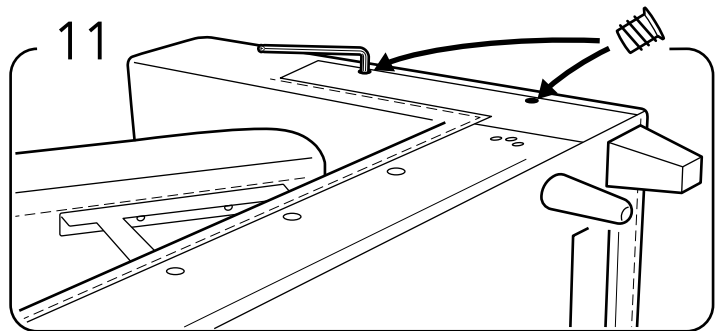
Fix the armrest from inside



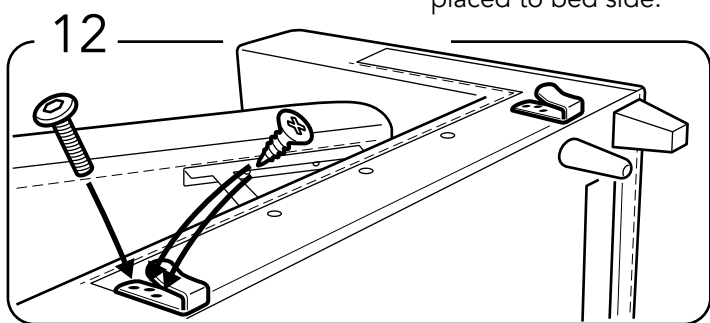
Attach the legs to the openable chaise. The additional leg always placed to bed side.



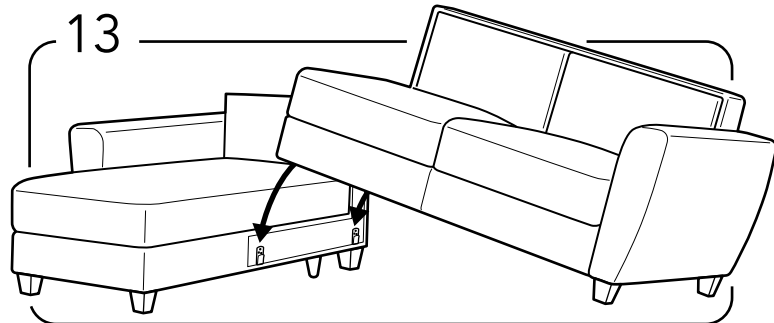
Turn the openable chaise to backside and let the assistant hold the armrest as shown in picture. Fix the armrest to the back from inside the frame with 2 previously removed bolts.



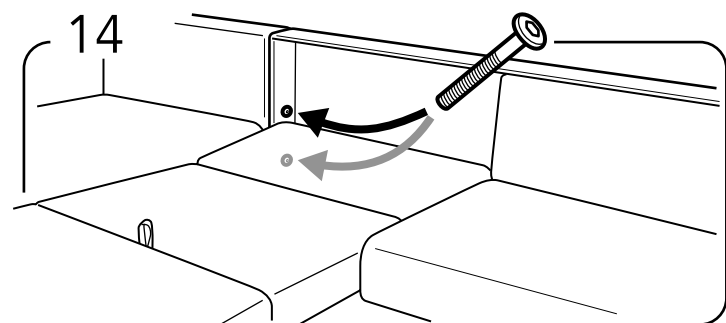
Turn the chaise to the armrest side and mount the 2 screw nuts. Do not overtight them!



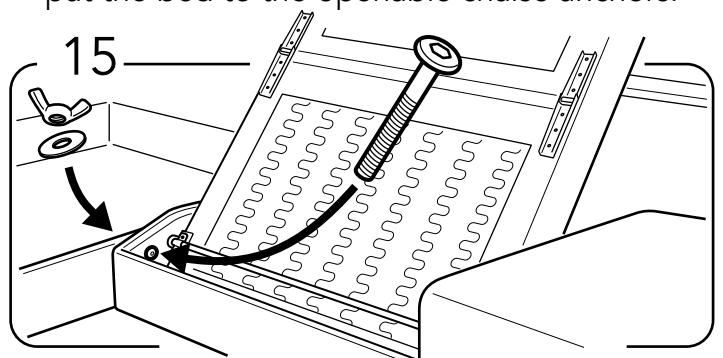
Mount the 2 anchors with M6x20mm bolts and 15mm screws as shown in pictures. Use the bolt in upper hole and 2 screws on other holes. Do not overtight the screws!



Lift up and turn the chaise to the legs. Lift and put the bed to the openable chaise anchors.



Put down the bed headside part and attach the bed backside to the chaise backside with 2 (M6x50mm) bolts.



Lift up the bed mechanism part and attach the bed at front with butterfly bolt set.