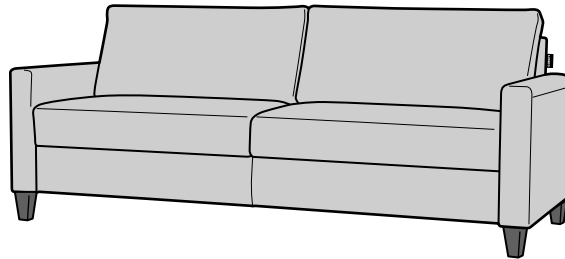
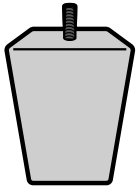


LUONTO®

FREE ASSEMBLY
Locating and installing the legs

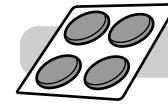
INCLUDED



Wood Legs X4



Non Slip Pads X4



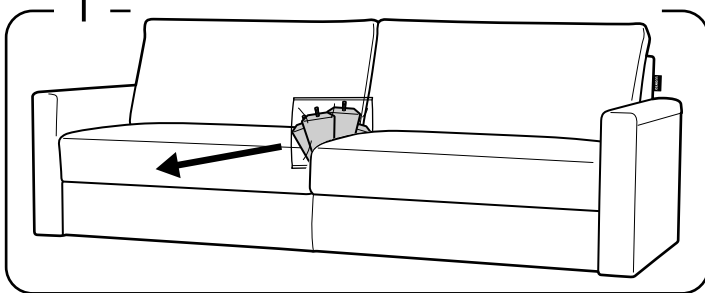
ATTENTION!

The Legs for your Luonto Sofa are secured to the top of the seat cushion or beneath the seat cushion (in the no-sag springs) depending on the sofa or leg style.

2-Persons
are required

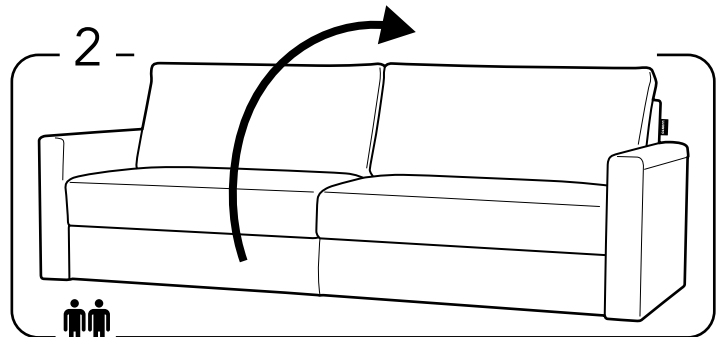


1 -



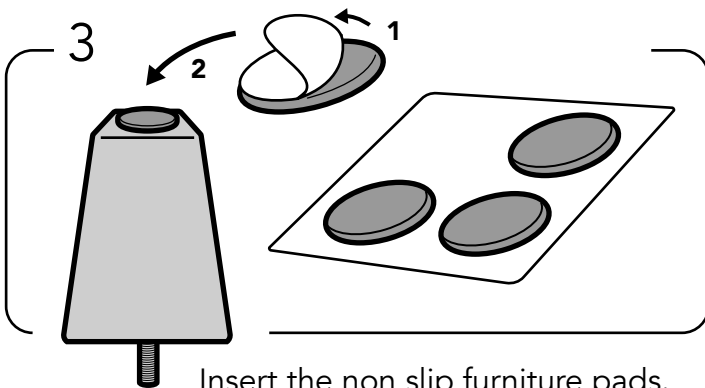
Remove the legs from the top of the seat cushion.

2 -



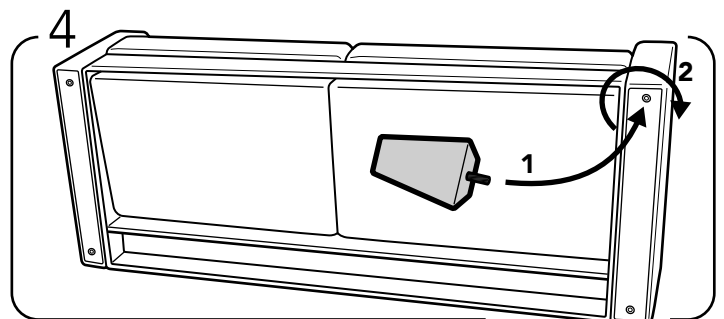
Turn the sofa to the backside.

3



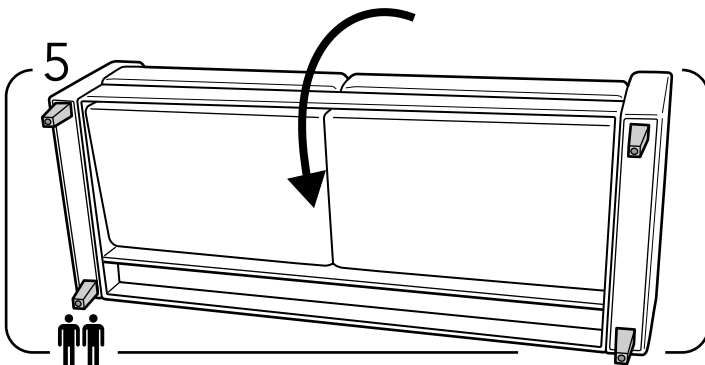
Insert the non slip furniture pads.

4

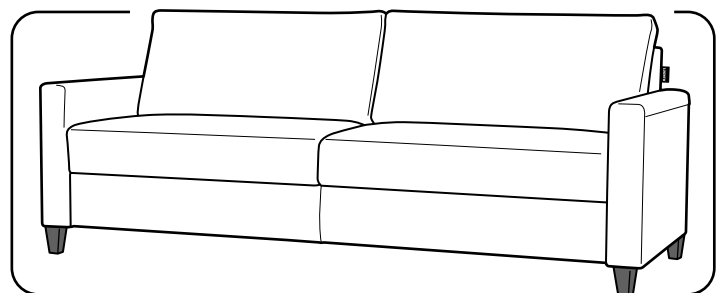


Repeat the same process for the 4 legs.

5



Carefully, turn the sofa upright and ensure each of the legs are installed properly.



This is how the final product should look like