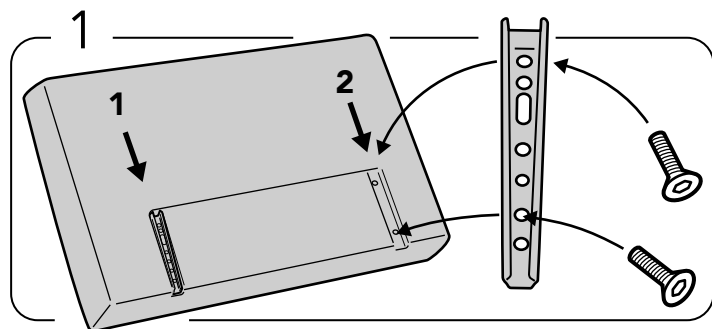
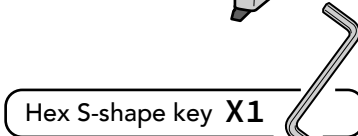
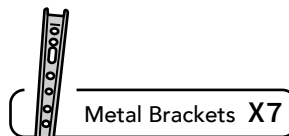
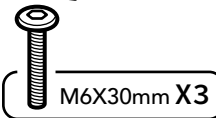
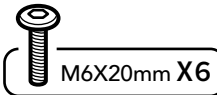
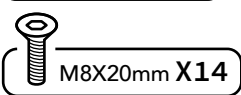
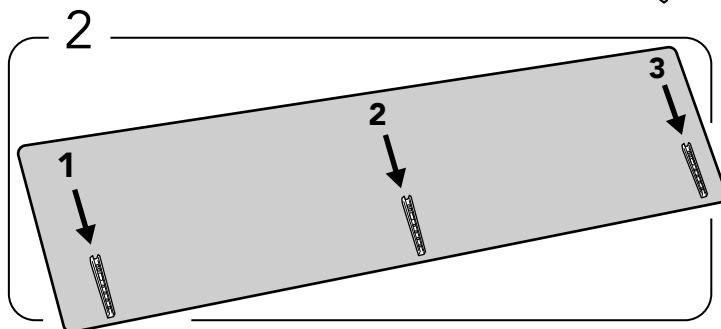


### INCLUDED

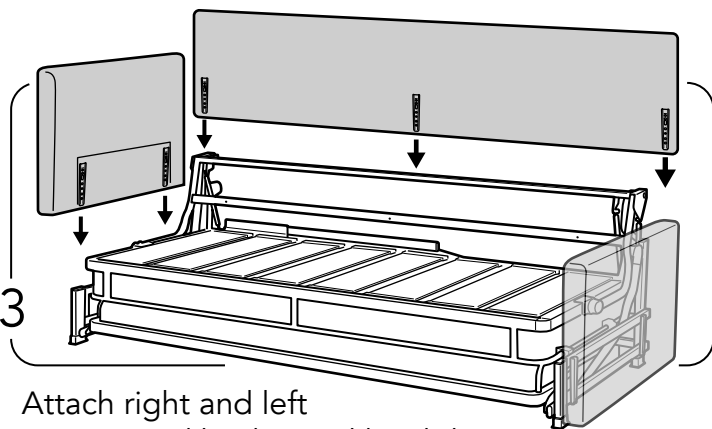


Attach the armrest metal brackets using 2 (M6X20) repeat the process for the left and right armrests.

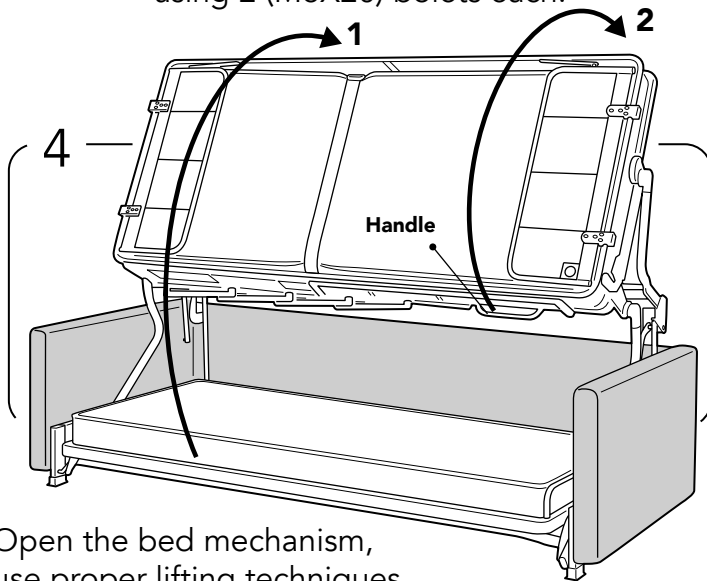
**ATTENTION! Narrower tips of brackets goes down!**



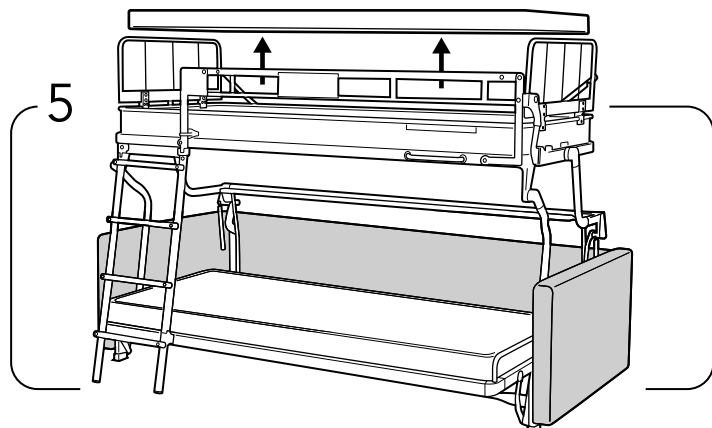
Attach the back panel with metal brackets using 2 (M6X20) bolts each.



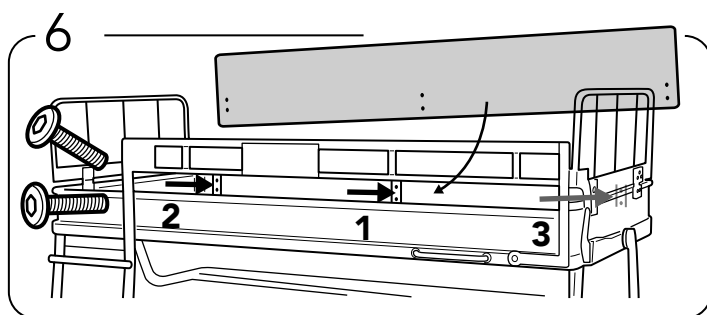
Attach right and left armrest and back panel by sliding metal bracket to metal glide.



Open the bed mechanism, use proper lifting techniques.

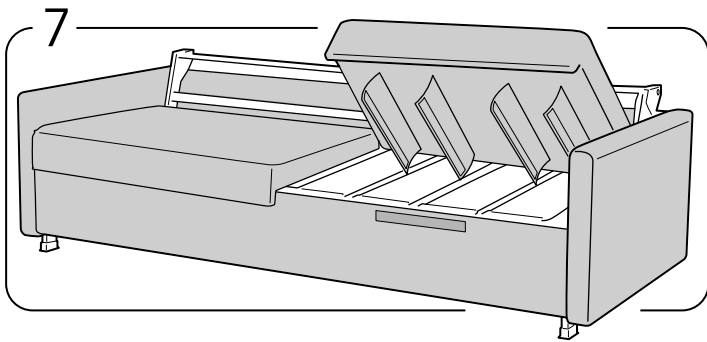


Open strap and remove the upper bed mattress.

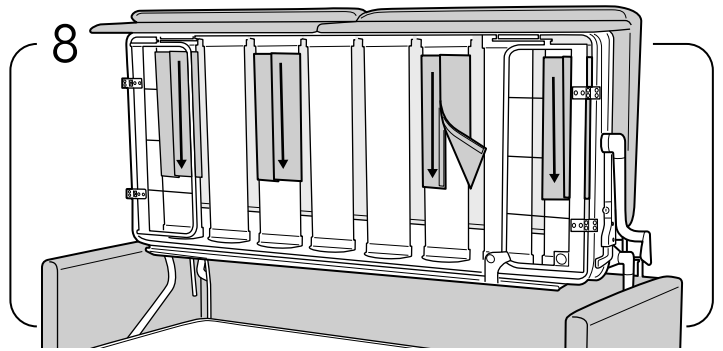


Attach the front panel. Use the M6 x 20mm bolts Tighten first bolt in the middle and edges after that.

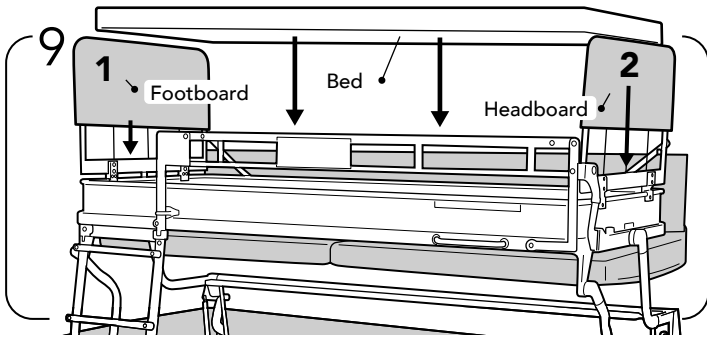




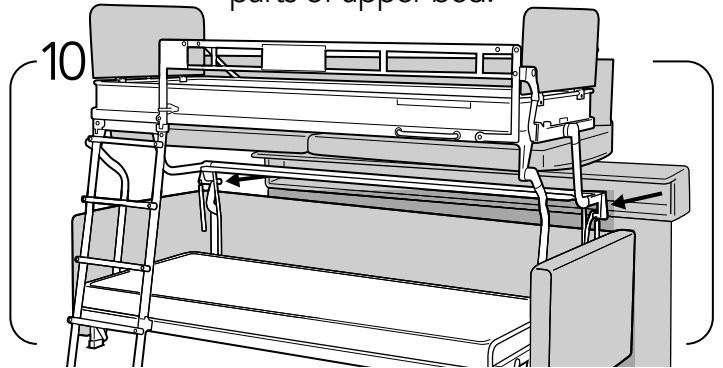
Open the Velcro fixators! Put the seat to correct position using the Velcro guide on the front panel, Hook and loop fixators attaching around the bed slats.



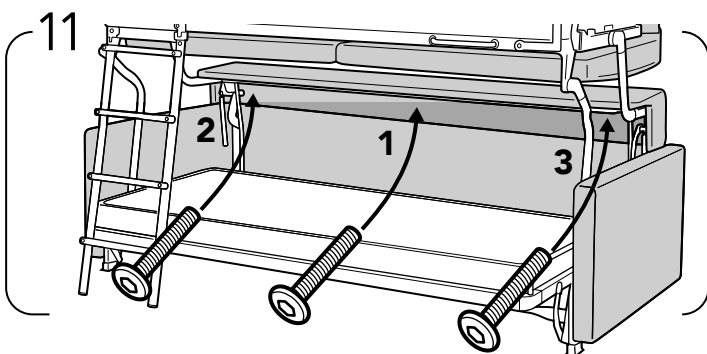
Open the bed mechanism as shown on picture and leave it to first resting position. Tighten the right and left seats. Slip the fixing blades between the bottom parts of upper bed.



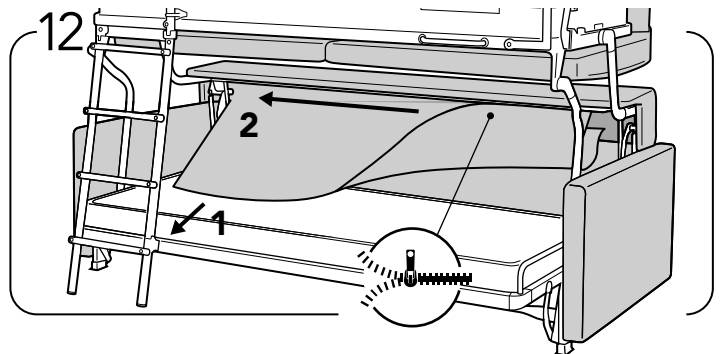
Return upper bed mattress, and attach the footboard and headboard. Tighten structure to the metal frame with Velcro fittings.



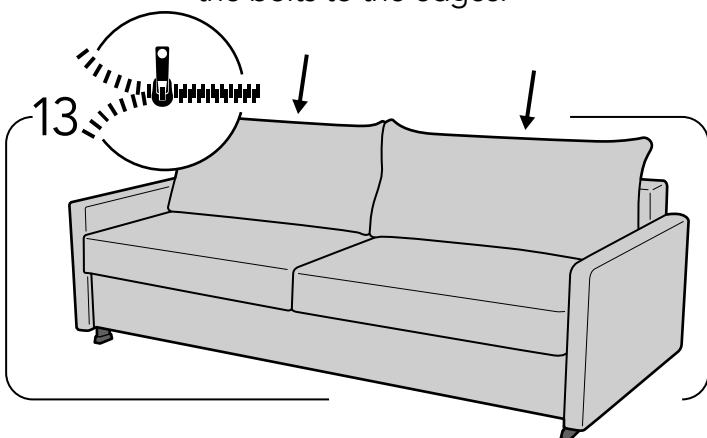
install the back frame.



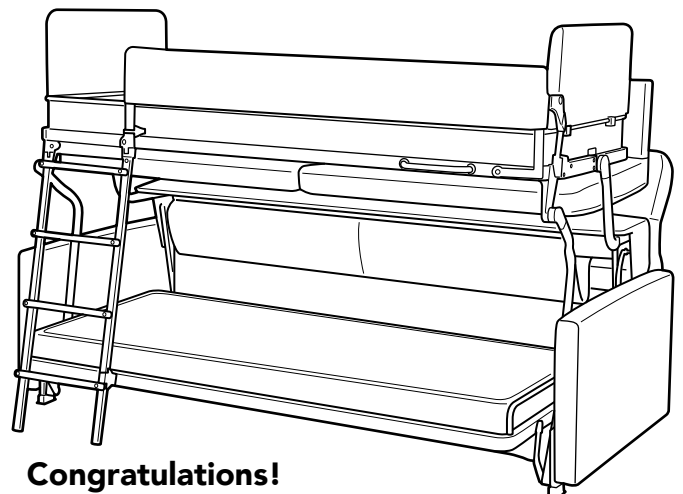
Use the M6 x 30mm bolts as shown on picture 11. After tightening the first bolt in the middle. Tighten the bolts to the edges.



Under the top bunk on the back panel of the sofa pull the loose fabric through. then close the zipper.



Close Mechanisms. then attach left back cushion and Right pack cushion to the back frame using the zipper.



**Congratulations!**  
Your sofa with bunk bed is ready